

Keep safe



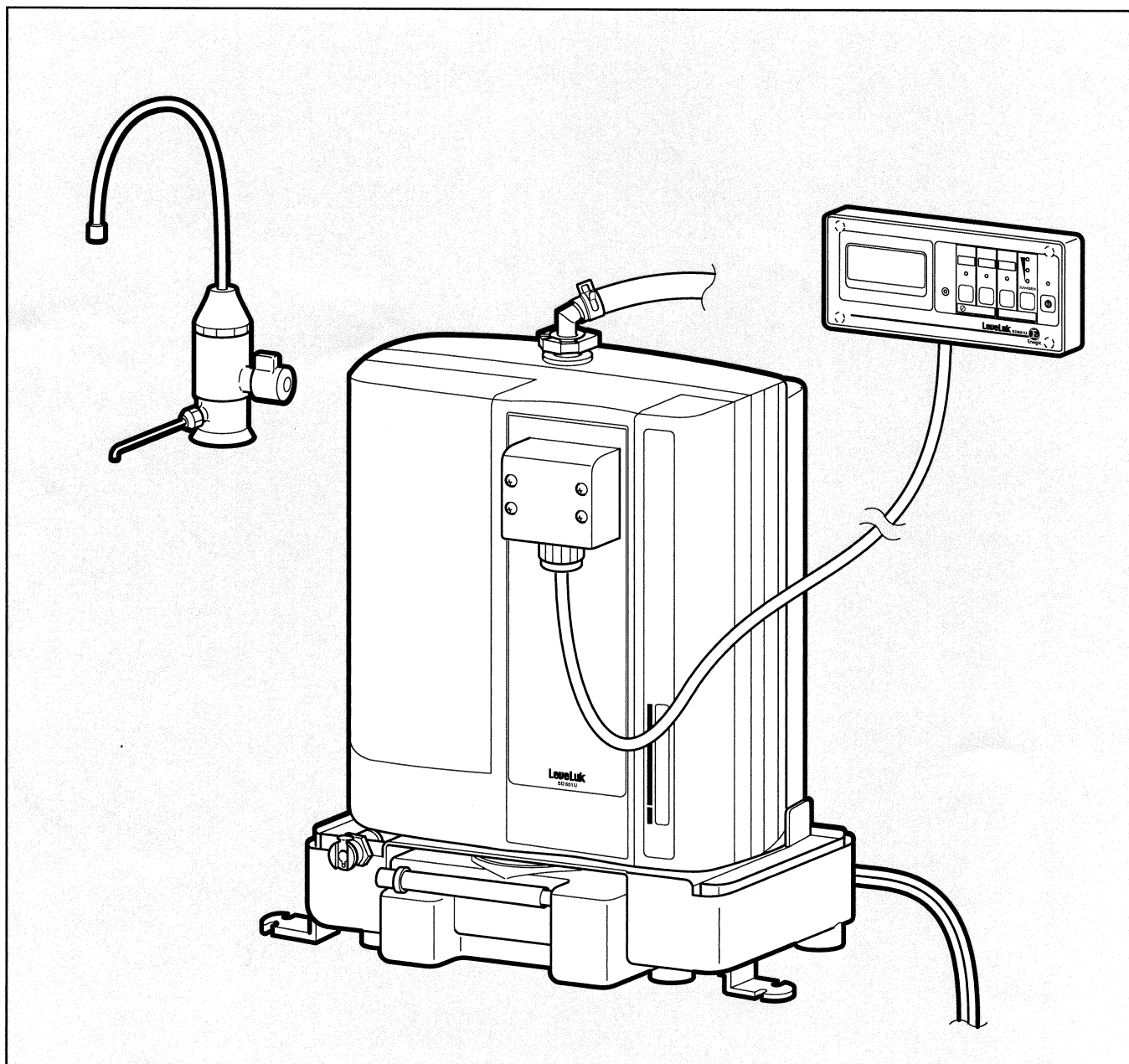
LIFE SCIENCE WATER APPARATUS

LeveLuk SD 501U

**Continuous Ionized KANGEN and
Strong Acidic Water Generator**

- Please read this manual carefully and thoroughly before installation
- This unit must be installed correctly, according to the manufacturers instructions
- Please keep this manual in a safe place for future reference

Installation Manual



Thank you very much for purchasing our <LeveLuk SD 501U (Under sink type)>. Please install the equipment correctly according to the instructions given in this "Installation Manual" so that the performance of this equipment is fully utilized. After Installation, please explain the method of use sufficiently to your customers.

Contents

Important Safeguards	2
Precautions for safety	5
Special request from the maker for Installation	7
Accessories list	8
Tool list	8
Confirming accessories and parts	9
Dimension diagram	10
Flow of work	11
Confirmation before Installation	12
Main unit installing procedure	14
Fixing the main unit	25
Installing the main unit and confirmation of connection	26
Final inspection (water leakage, action)	27
If the unit doesn't work properly	29
Standard specifications	30

Important Safeguards

● Read all instructions before using

DANGER – To reduce the risk of electrocution:

1. Always unplug this product immediately after using.
2. Do not use while bathing.
3. Do not place or store product where it can fall or be pulled into a tub or sink.
4. Do not place in or drop into water or other liquid.
5. Do not reach for a product that has fallen into water. Unplug immediately.

WARNING – To reduce the risk of burns, electrocution, fire, or injury.

1. A product should never be left unattended when plugged.
2. Close supervision is necessary when this product is used by, or near children or invalids.
3. Use this product only for its intended use as described in this manual. Do not use attachments for other uses not recommended by the manufacturer.
4. Never operate this product if it has a damaged cord or plug, not working properly, has been dropped or damaged, or has been dropped into water. Return the product to a service center for examination and repair.
5. Keep the cord away from heated surfaces.
6. Never drop or insert foreign object(s) into any openings or hose(s).
7. Do not use outdoors or operate where aerosol (spray) products are being used or where oxygen is being administered.
8. Connect this product to a properly grounded outlet only. See Grounding Instructions.

● Save these Instructions

- a) This manual contains instructions for cleaning, user maintenance, and proper operations recommended by the manufacturer such as lubrication, and non-lubrication of this device. All services required by this product must be performed by an authorized service representative, which means that this product contains no user serviceable parts. This product is for household use as stated in this manual and other literature packed with the product.
- b) When a product employing an automatic reset thermal limiter (which shuts off the entire product) is used, please refer to this manual for instructions and warnings.
- c) While the product is in use, please refer to this manual for proper cord maintenance.
- d) The product is intended to be used with water, additives, conditioners, or a product that relies on the conductivity of water for normal operations (electrode type products). The use of baking soda, salt, or other substances to improve the conductivity of the water is stipulated. Please refer to this manual for specific instructions on the proper liquid or additive and the exact amount to be used in conjunction with the product.

● Grounding Instructions

This product should be grounded. In the event of an electrical short circuit, grounding reduces the risk of electric shock by providing an escape wire for the electric current. This product is equipped with a cord having a grounding wire with a grounding plug. The plug must be plugged into an outlet that is properly installed and grounded.

DANGER – Improper use of the grounding plug can result in a risk of electric shock. If repair or replacement of the cord or plug is necessary, do not connect the grounding wire to either flat blade terminal.

The wire with insulation having an outer surface that is green with or without yellow stripes is the grounding wire. Check with a qualified electrician or serviceman if the grounding instructions are not completely understood, or if in doubt as to whether the product is properly grounded.

If it is necessary to use an extension cord, use only a three wire extension cord that has a three-blade grounding plug, and a three-slot receptacle that will accept the plug on the product. Replace or repair damaged cord.

Precautions for safety

Please observe these precautions without fail.

● Indicators used in this manual

The marks in this manual indicate areas of importance, and are explained below. Be sure to read the Warning and Caution instructions carefully.

Level of danger





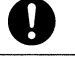

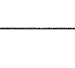
Indicates an imminently hazardous situation which may result in health hazards if the device is handled in a manner other than described in this manual.



Indicates a potentially hazardous situation which may result in minor or moderate injury if the device is handled in a manner other than described in this manual.

- * All the precautions described here are classified as “! Warning” and “! Caution”. Any potential hazardous situation which could result in death or serious physical injury are referred to under the sign “! Warning”. However, other potentially hazardous situations referred to under the sign of “! Caution” can also present serious danger, depending on the case and situation.
All the precautions, therefore, should be observed strictly.
- * The marker of this product is not responsible for any damage to the product or accidents caused by improper use or by disregarding the precautions mentioned in this manual.
- * After reading this manual, please keep it in a safe place for future reference.

● Description of signal marks

Mark	Title	Significance
	General	Used to indicate general precautions, warnings and dangers.
	General	Used to notify general prohibition precautions, warnings and dangers.
	General	Used to describe behavior of general users.
	Disassembly	Used to warn against self-repair or taking apart the unit by oneself, which could cause electric shock or other injuries.
	Unplugging	Used to indicate to the user when it is necessary to unplug the product, especially when it is showing signs of being damaged, or when a thunderstorm is expected.

Precautions for transfer and repair

Warning



- **Never repair, modify or reinstall the unit by yourself.**
An electrical shock or malfunction may occur to cause physical injury.
- **If you need the equipment to be transferred or repaired, please ask the specific service dealer.**
Any failure, due to your own work, can be the cause of electrical shock or water leakage

Attention




- **Use only with an approved potable water source.**
(May not perform properly with some well waters.)

Precautions on use

Warning



- **Use only the water approved for drinking (such as the tap water).**
Unapproved water may spoil your health as this unit is not designed to distill germs nor remove harmful substance.
- **Never use the unit with many other equipment connected together on the same receptacle so as to exceed the rating or use other voltage than AC 120V rating.**
Too many connections can cause a fire due to overheating.
- **Do not fix the power supply cable with a staple() or the like.**
The power supply cord may be broken to cause fire or electrical shock.
- **Never overhaul, repair or modify the equipment other than piping section.**
Wrong electrical work can be the cause of electrical shock or fire.
- **Do not intentionally spoil the power supply cord or power supply plug.**
Such cord or plug must not be damaged, fabricated, brought near to the heating equipment, bent, twisted, pulled forcefully, applied with a heavy load on it, bound or clamped.
- **Do not connect or disconnect the power supply plug with wet hand.**
It can be the cause of an electrical shock.



- **Install the unit correctly according to this Installation Manual.**
Failure can cause fire or electrical shock.
- **Prepare power receptacles correctly in safe according to the electric equipment engineering standard and internal line code.**
Incorrect electrical wiring work can be a cause of electrical shock or a fire.
·Such power receptacle arranging work must be done by a qualified electrician.
- **Insert the power supply plug sufficiently into the receptacle.**
Insufficient insertion can cause electrical shock or heating, resulting in a fire.
·Never use a broken plug or loose receptacle.

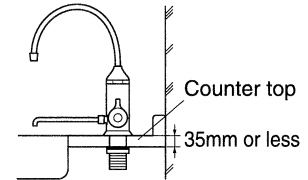
Attention

● Never install the unit on a kitchen made of natural marbles or an enamel ware.

The unit may break the counter top.

● Never try to drill a hole if the counter top is 35 mm or thicker.

Installation is unavailable. If you drill a hole by mistake, it may develop into a serious compensation claim by the customer.



● When drilling a hole on the counter top or sink (in the cabinet), pay attention not to damage any in-door piping.

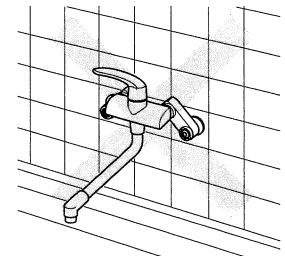
If a water leakage occurs, it may develop into a serious compensation claim by the customer.

● Do not install the unit on to the wall mounting type water plug.

Failure may develop into a compensation claim by the customer.

● In no case should you connect other device to the tip of KANGEN Water faucet.

Otherwise, an abnormal water pressure will be applied on the secondary side of the KANGEN Water generator body, causing water leakage.



● Never bend, twist or pull the hoses.

That can cause water leakage.

● Please use this unit together with the main unit, KANGEN Water faucet and accessories as a set.

If a water leakage occurs, it can develop into a serious compensation claim by the customer.

● Install the KANGEN Water generator on a flat surface.

Installing the unit on an unsteady place can be the cause of human injury or malfunction of the unit.

● Pay special attention to the piping work to avoid water leakage.

If a water leakage occurs, it can develop into a serious compensation claim by the customer.

● Conduct piping and hose joint work very carefully. Especially fix a hose band precisely.

Unsteady connection can cause loosen hose, to dislocate a hose and allow water leakage to occur, spoiling household furniture and estate.

● When drilling a hole on a counter top, select a tool that well matches the material quality of the counter top.

For a special material, drill a hole in the method specified by the kitchen utensil maker. Do not drill a hole forcefully, otherwise the counter top may be broken.

● During a final inspection, conduct a thorough inspection for water leakage of the total piping and connection including KANGEN Water faucet.

If a water leakage occurs, it can develop into a serious compensation claim by the customer.

Special request from the maker for Installation

● **Please do not install the unit at the following locations (can be the cause of failure).**

- Near a place of high temperature (40°C or higher).
- A place where water splashes.
- Outdoor or a place that is exposed to wind or rain.
- A place where oil adheres.
- A place that may be frozen (This unit is not a cold area model).

● **Conduct piping works according to the Installation standard law, water supply law and rules/regulation of each municipal.**

The piping method is subject to the type of sink or combination of sink/floor cabinet.

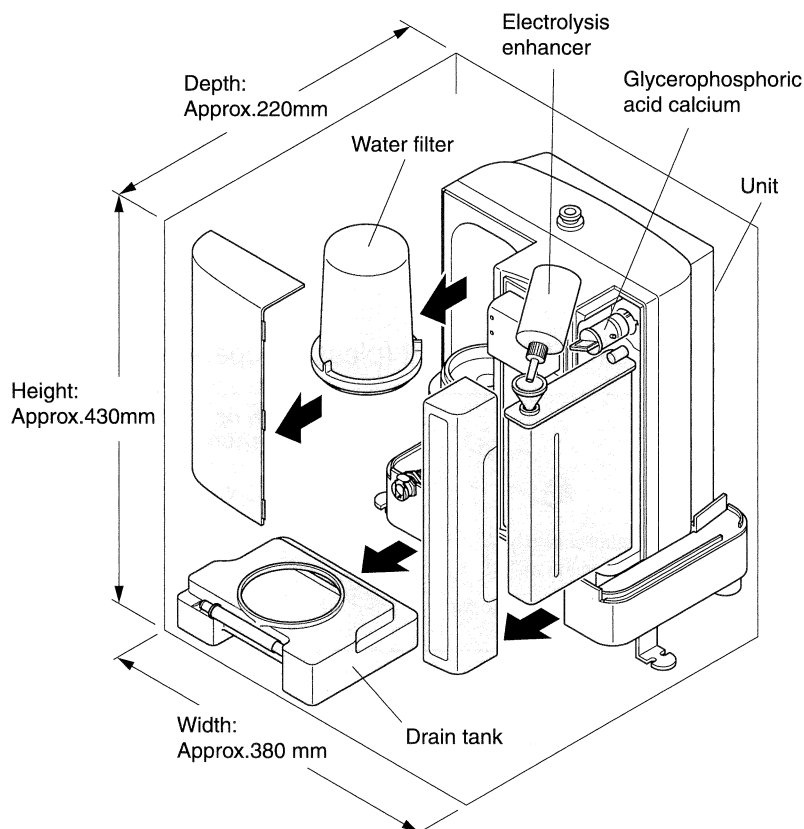
● **The installing position can be determined according to the type of shelf in the sink (within the cabinet) and the position of optional items. Be sure to consult with the customer before deciding a place where various works are easily performed (such as, filter replacement, drain tank disassembling and addition of glycerophosphoric acid calcium or electrolysis enhancer).**

For Installation, secure a space as follows

* Installing space

Height: 430mm Width: 380mm Depth: 220mm

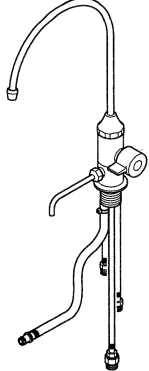
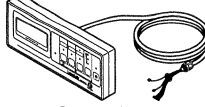
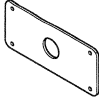
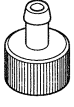
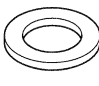



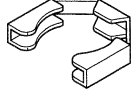
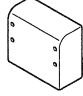
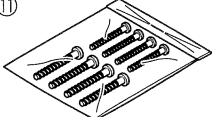
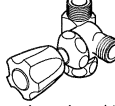
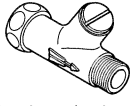
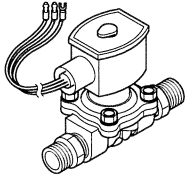
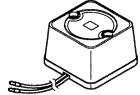
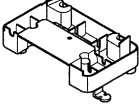
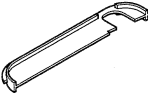
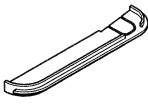
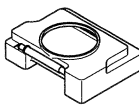

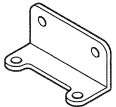

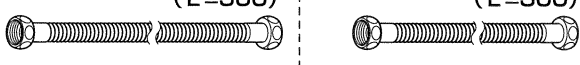
Space required for replacement



● **When installing, if the structure or material quality of the sink must be confirmed, please inquire the Kitchen utensil manufacturer.**

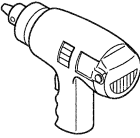
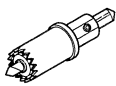
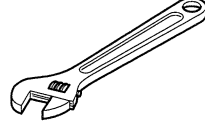
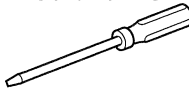

Accessories list

● At the time of unpacking, check and make sure that the following accessories are contained.

 <p>① Main faucet (1piece)</p>	 <p>② Controller</p>	 <p>③ Bottom packing (1piece)</p>	 <p>④ Knurling tool (2pcs.)</p>
	 <p>⑤ Packing (3pcs.)</p>	 <p>⑥ Hose band (2pcs.)</p>	 <p>⑦ Discharge port hose</p>
	 <p>⑧ O ring (1piece)</p>	 <p>⑨ Quick fastener (1piece)</p>	 <p>⑩ Relay terminal cover (1piece)</p>
 <p>⑪ Relay terminal cover set screw (3×25: bagging) Controller set screw (4×40: bagging)</p>	 <p>⑫ Branch valve (1piece)</p>	 <p>⑬ Strainer (1piece)</p>	
 <p>⑭ Emergency solenoid valve (1piece)</p>	 <p>⑮ Buzzer (1piece)</p>	 <p>⑯ Mounting block (1piece)</p>	 <p>⑰ Mounting block cover L (1piece)</p>
	 <p>⑱ Mounting block cover R (1piece)</p>	 <p>⑲ Drain tank (1piece)</p>	 <p>⑳ Wood screw for set bracket (4×20 bagging) Total 4pcs. including spare 2pcs.</p>
 <p>㉑ Valve setting bracket (1piece)</p>	 <p>㉒ Valve setting screw (2pcs.)</p>	 <p>㉓ Connecting pipe (SUS, nominal diameter G 1/2) <Stainless pipe> (L=500) (L=300)</p>	

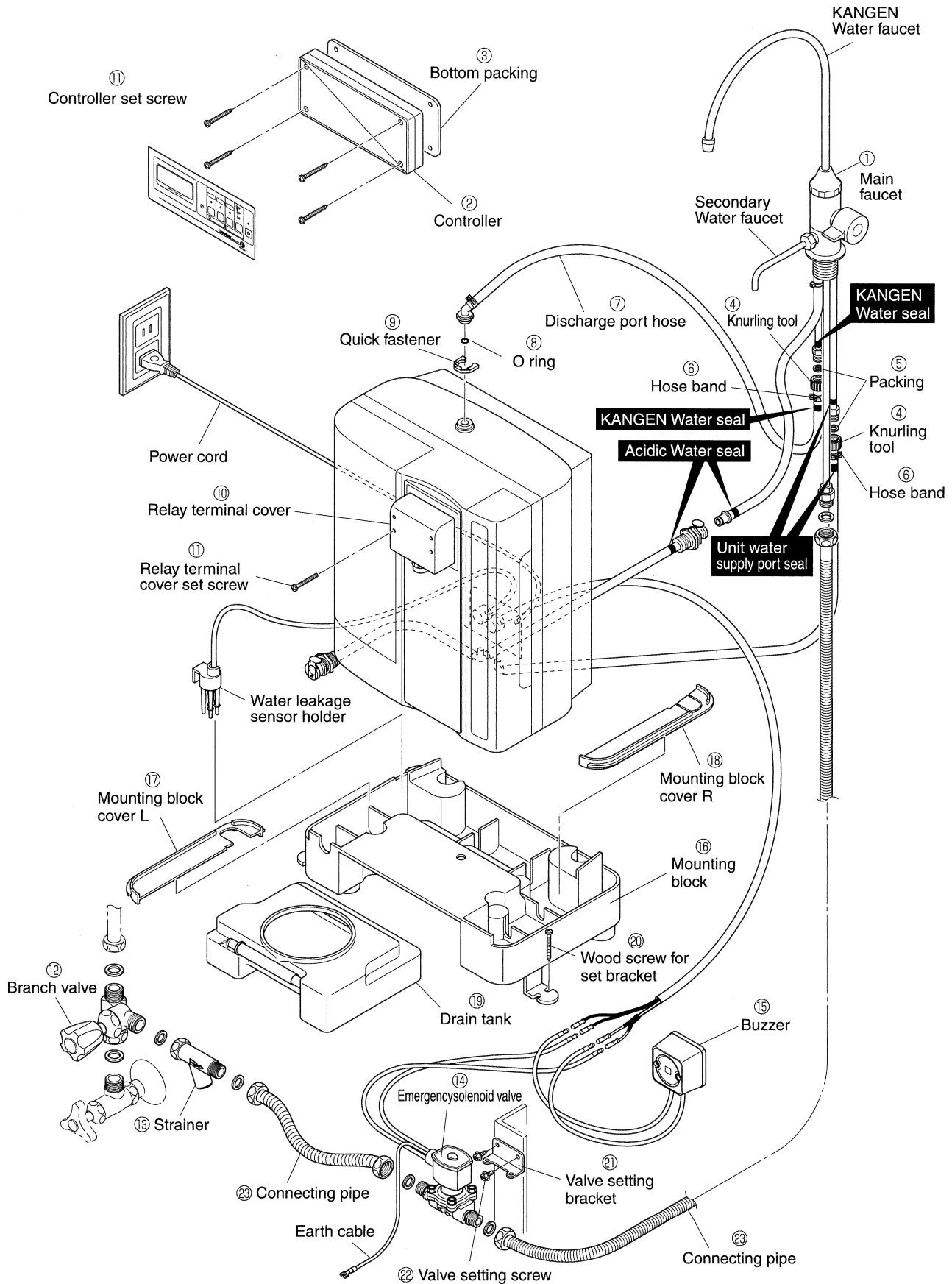
Tool list

The following tools are required for the work (please prepare by yourself).

 <p>Powered drill</p>	 <p>Hole saw Size: ● $\phi 28$ to 32 ● $\phi 38$ to 40 ● $\phi 50$ (if a controller is to be installed on the wall.)</p>	 <p>Pipe wrench or monkey wrench</p>	 <p>Screwdriver</p>	<ul style="list-style-type: none"> ● Scale ● Scissors ● Cutter
<p>* Use the drill for drilling a hole on the work top, or hole for passing pipes and cords.</p>			 <p>Seal tape</p>	<ul style="list-style-type: none"> ● File ● Cutting pliers ● Pliers

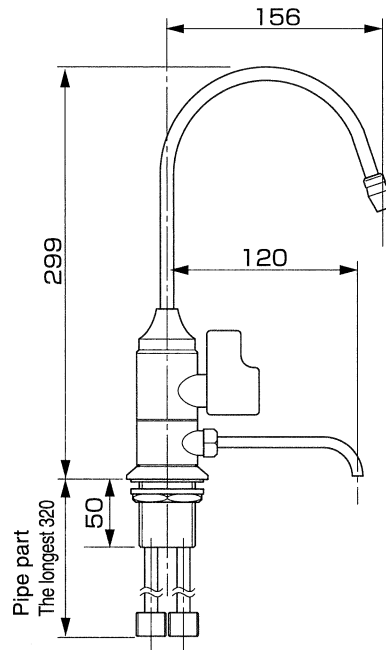
Confirming accessories and parts

- Confirm where each accessory is to be used.

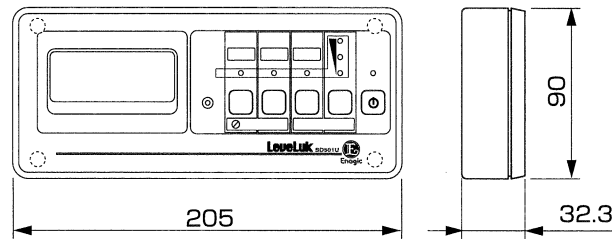


Dimension diagram (Unit: mm)

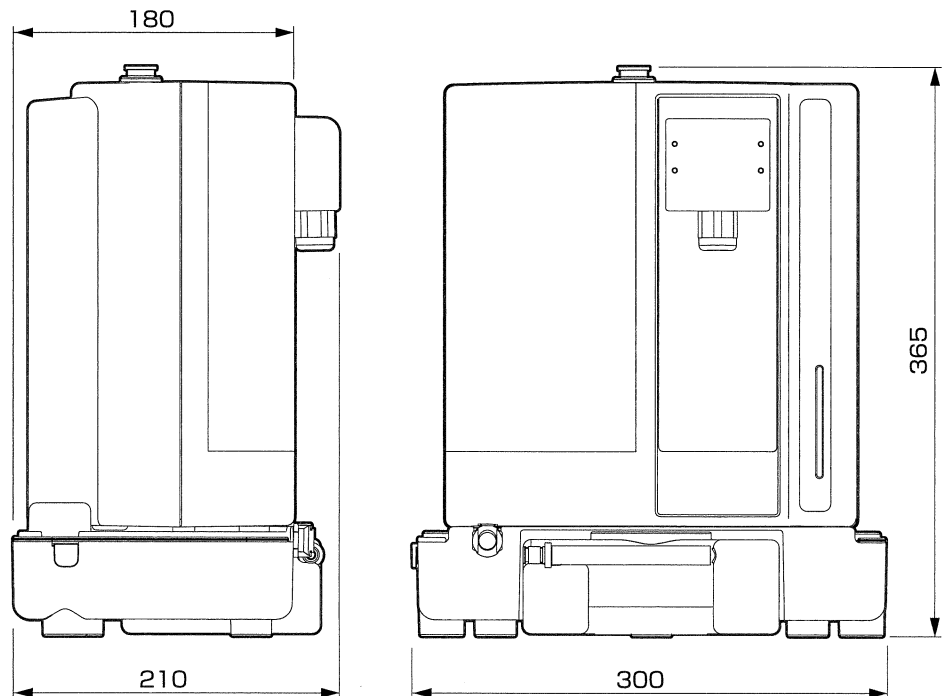
■ Main faucet



■ Controller



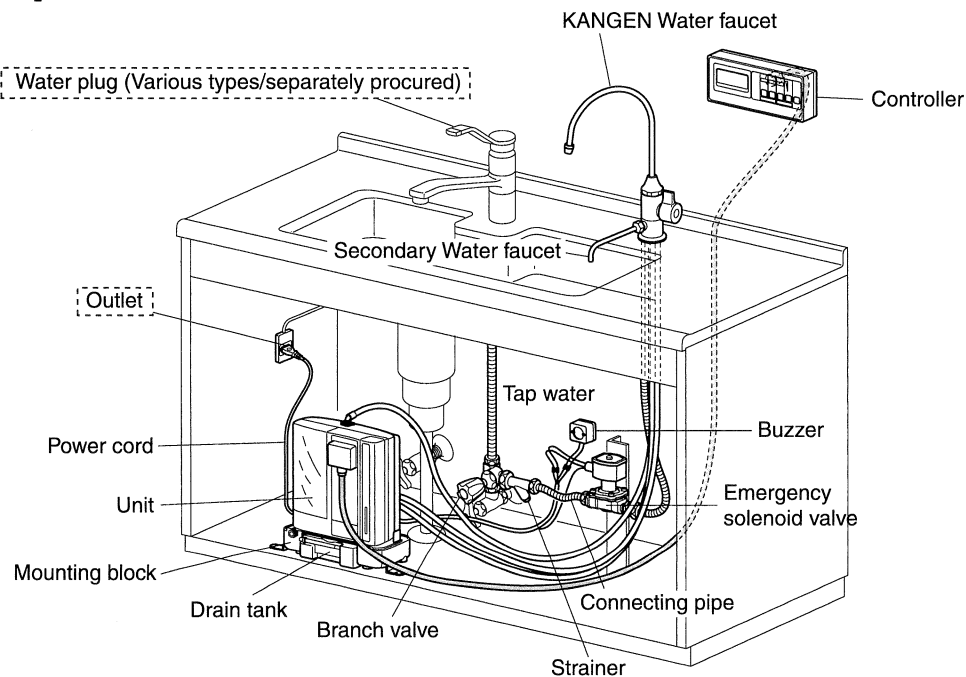
■ KANGEN Water generator body



Flow of work

Special request from the maker for Installation	P.7
Confirming accessories and parts	P.9
Confirmation before Installation	P.12
Main unit installing procedure	P.14
1. Mounting a receptacle	P.14
2. Mounting the attached piping parts	P.15
3. Main unit installing procedure	P.17
4. Mounting the Main faucet	P.18
5. Drilling a hole for mounting the controller	P.19
6. Mounting the controller (example)	P.20
7. Connecting the mounting block and the main unit	P.21
8. Connection of pipes	P.22
9. Connection of controller	P.24
Fixing the main unit	P.25
Installing the main unit and confirmation of connection	P.26
Final inspection (water leakage, action)	P.27
If the unit doesn't work properly	P.29
Standard specifications	P.30

Example of Installation



Confirmation before Installation

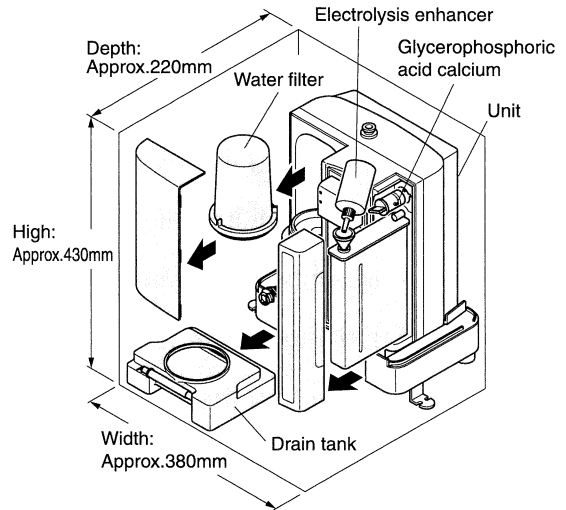
■ Before installation, be sure to confirm the following conditions

⚠ Attention

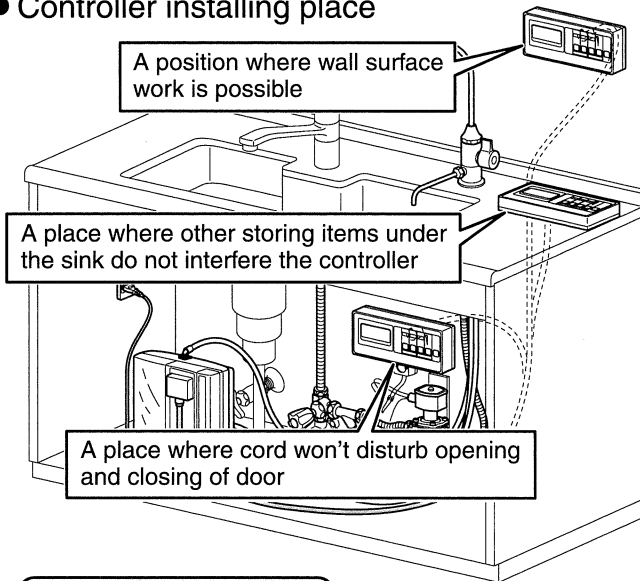
- This unit is to be installed under the sink (in the cabinet). The position should be the place where replacement works are easily done for replacement of filter, removal of drain tank and addition of glycerophosphoric acid calcium or electrolysis enhancer.
- A receptacle for an AC120v power should be under the sink or near the position of installation or such power supply can be arranged in the future.
- Is there any water supply branch under the sink or near the place of installation or such water supply branch can be arranged in the future?
- An area for installation should be ensured in the future.

* Installing space
Height: 430mm Width: 380 mm Depth: 220mm

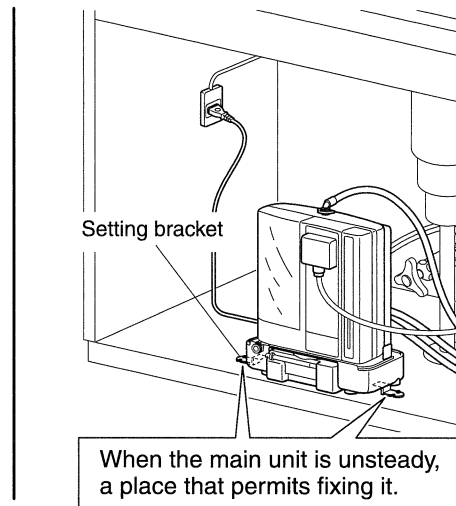
A space required for replacement



● Controller installing place

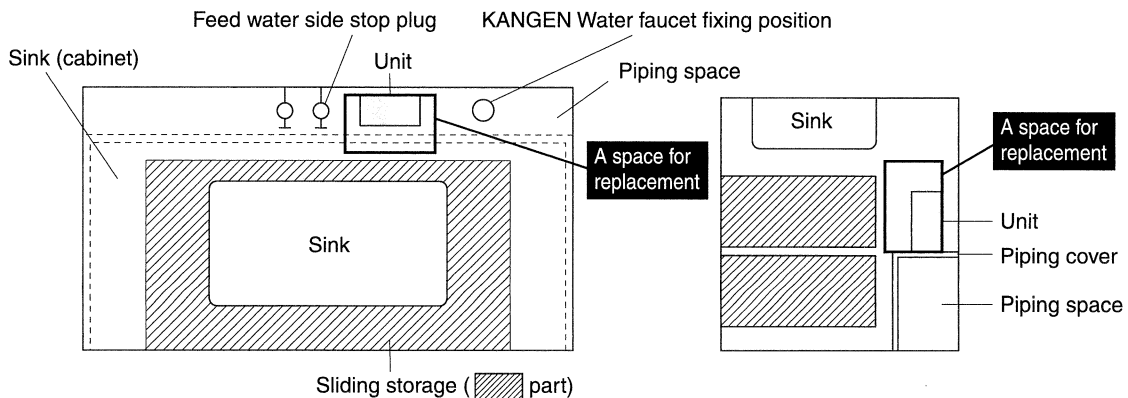


● Fixing of main unit



⚠ Attention

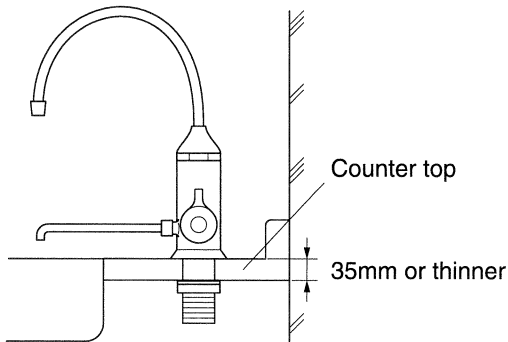
- In case of a drawer type kitchen, installation is only possible where the above-mentioned space can be ensured for replacing water filters.



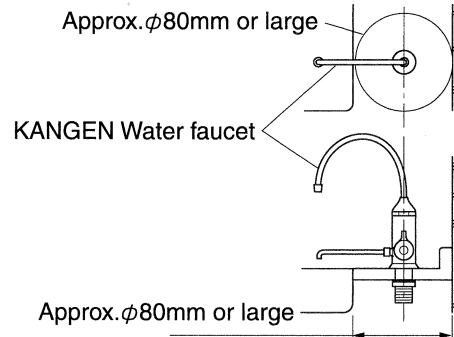
■ Be sure to confirm if the conditions for installing KANGEN Water faucet are met or not.

⚠ Attention

● Installation is not possible if the thickness of the counter top or sink (in the cabinet) is 35mm or thicker.



● Ensure a space for fixing KANGEN Water faucet.

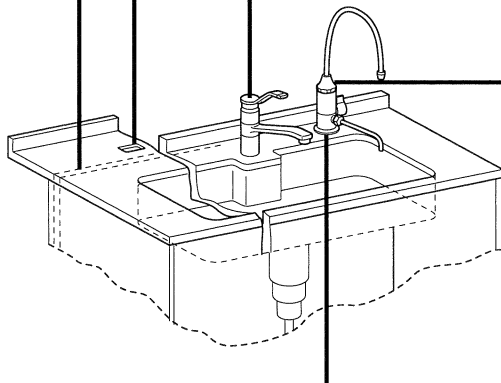


■ Important points for positioning KANGEN Water faucet

A place where the faucet won't touch the back plate

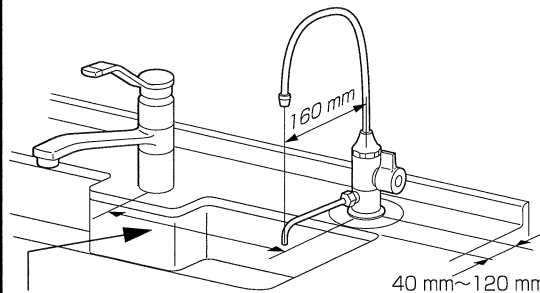
A place where the faucet won't touch the sink pocket (soap or detergent pocket)

A place where the faucet won't touch the tap water faucet



● A place where the top/bottom discharge water can flow into the sink.

· Install at the apposition where approx.40mm to 120mm are ensured from the center of the KANGEN Water faucet to the sink.

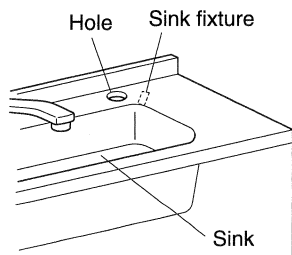


· A position where installation is possible through an inspection port (approx.300mm).

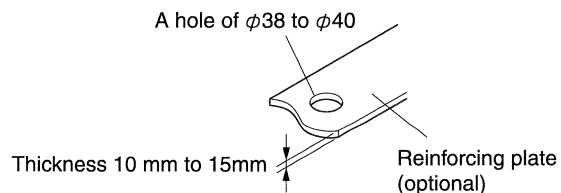
* Follow the Installation manual issued by the kitchen utensil maker.

* A position where the bottom of the KANGEN Water faucet won't ride on the counter top gap or curve.

● A position where no sink fixtures exist on back side



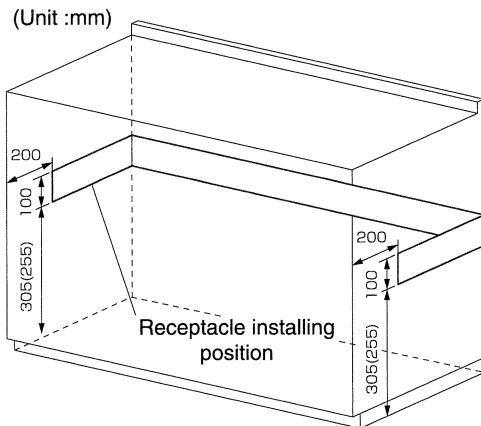
● A reinforcing plate (optional) is necessary on a stainless steel counter top without a reinforcing plate, or even if with the reinforcing plate, the thickness of the plate plus that of the counter top is 5mm or less.



* The above explanation is for the case of installing a KANGEN Water faucet on its right side. However, positioning point and installing procedure are the same for the case of installing the faucet on its left side.

Main unit installing procedure

1. Mounting a receptacle

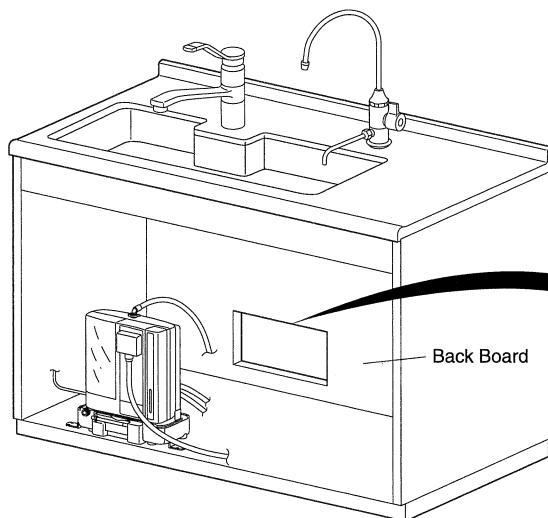


* The dimension in the brackets is for the case of 80mm height.

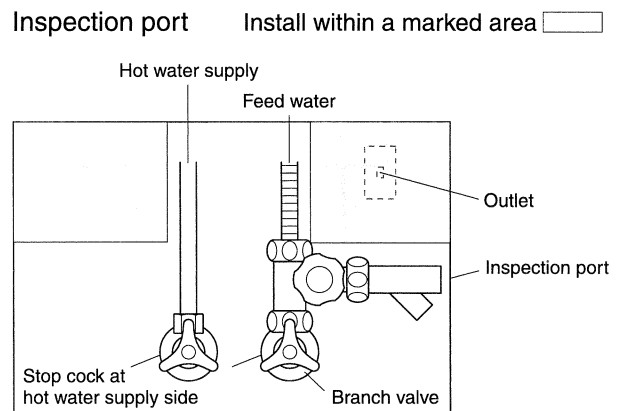
■ A power supply receptacle (AC120V) is required at the cabinet or piping space in the kitchen.

- Install a receptacle at the grounding side of the main unit but within a range in the cabinet.
- Adjust the electric wire pulling out position and receptacle mounting position referring to the kitchen height.
- If installing of the unit is impossible within the specified range, install a receptacle at a position where plug is easily pulled out.

If a receptacle cannot be fixed in the cabinet:



● Install a receptacle outside the cabinet (piping space).



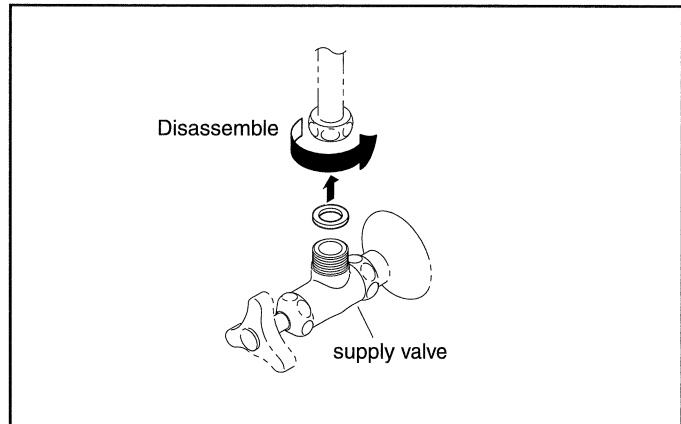
- Install a receptacle at the following positions.
 - Above the stop cock or the feed water valve.
 - A place where the power plug is easily inserted or pulled out.
 - A place where water leakage from the pipe or dew water won't reach the receptacle.

Attention

- Never connect to the stop cock at hot water supply side.
- When installing a power receptacle in the piping space, do not fix the inspection port cover with screws to remove during emergency.
 - If fixed with screws, the power plug cannot be pulled out in case of an emergency, causing power leakage or ignition.

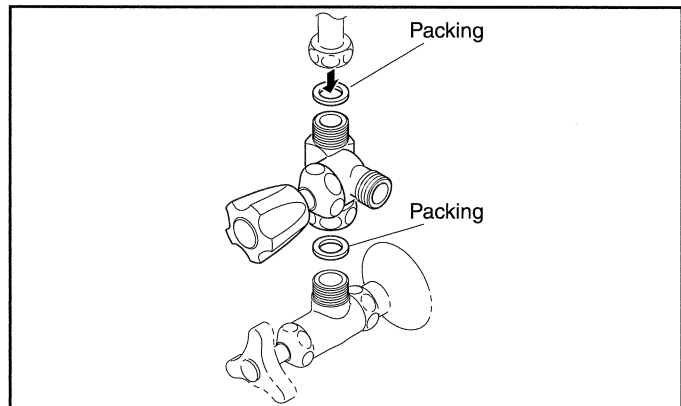
2. Mounting the attached piping parts

1. Turn off water supply valve, disassemble water supply line.



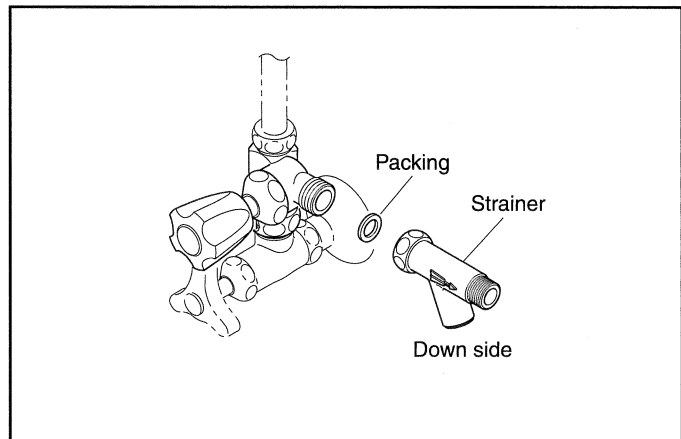
2. Mount branch valve and reconnect water supply line.

- Use a packing material attached to the strainer.



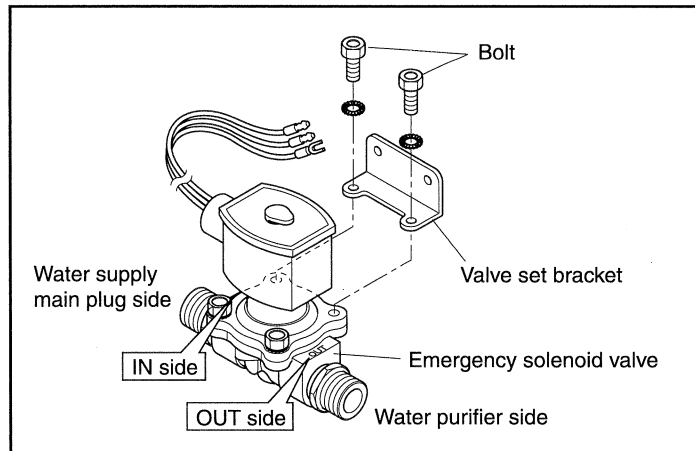
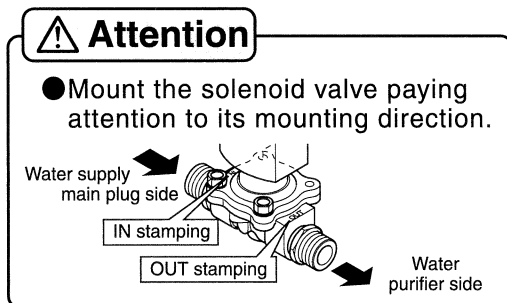
3. Mount strainer onto branch valve in such a way that the strainer branch section comes downward.

- Use the packing material (attached).

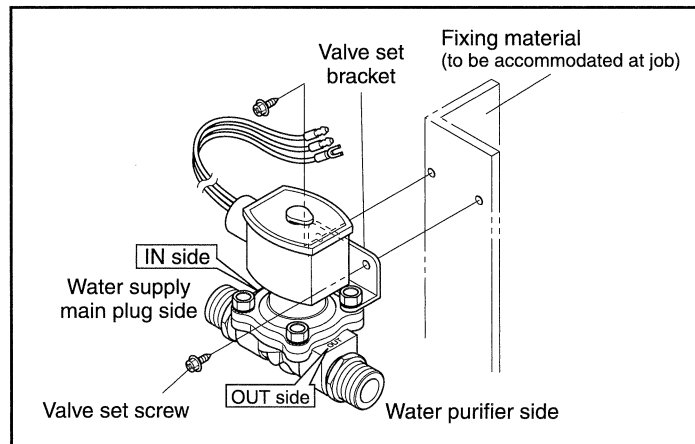


Main unit installing procedure

5. Remove 2 bolts on the emergency solenoid valve and fix valve set bracket there.

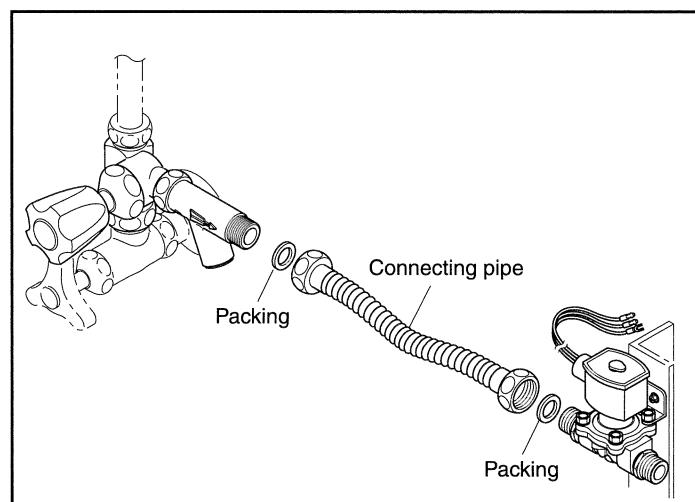


6. Fix the valve set bracket onto the fixing material (to be accommodated at job) using a valve set screws in order to fix the emergency solenoid valve horizontally.



7. Connect the members assembled in the procedure 4 and the emergency valve using a connecting pipe.

- Utilize the packing material attached to the connecting pipe.



⚠ Attention

- Mount each parts in a correct order.
Mount each piping part in such a way that operation is easy during maintenance work.
- Use optional parts which meet the types of the sink and the floor cabinet.
(See Optional parts list on page 8).

3. Main unit installing procedure

- Drill a hole on the counter top for fixing a KANGEN Water faucet.

Attention

* Strictly observe the following rules, or, it may develop into a serious compensation claim by the customer.

- Never install the KANGEN Water faucet onto a counter top made of natural marble or enamel ware. (Drilling a hole on such a material can break the counter top surface.)
- Do not drill a hole if the thickness of the counter top is 35 mm or more. (The KANGEN Water faucet cannot be mounted. If, you drilled a hole on the surface by mistake, it may develop into a serious compensation claim by the customer.)
- Select a suitable drilling tool for drilling a hole on a counter top. (For a counter top of any special material, please inquire the maker of the kitchen utensil for the method. Do not forcedly drill a hole, otherwise, the counter top may be broken.)
- While keeping the thickness of the counter top in mind, use a tool that can do the work on the plate thickness of 35 mm.
- When drilling a hole on the counter top, be careful so that wood chips won't enter the unit body or into the curb stop. (If wood chips enter the water channel, it can cause a trouble or water leakage.)
- Prepare a powered drill that is suitable for the hole saw to be used.
- Never use a tool such as, impact driver or vibration drill which strike the surface. (The counter top may be deformed or broken.)
- Do not apply excessive force against the counter top surface. (The counter top may be deformed or broken.)
- In case of a hard artificial marbles, prepare a spare tool (a spare hole saw blade). (The hole saw blade will be worn, making the work difficult.)

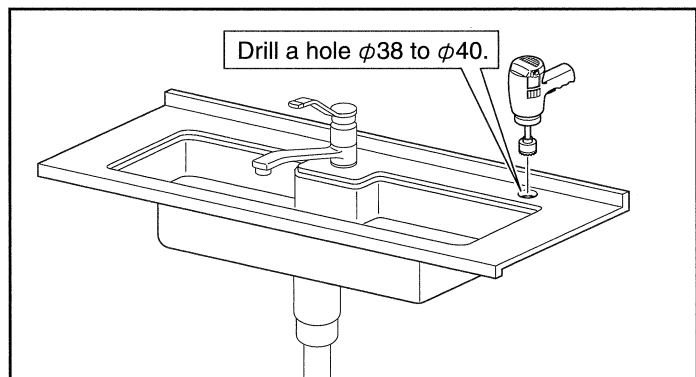
1. Decide the hole position for fitting KANGEN Water faucet.

- Carefully determine the hole position.

Attention

- Be sure to see "Confirmation before Installation" paragraph on Page 11.

2. Drill a hole of $\phi 38$ to $\phi 40$ using a hole-saw.

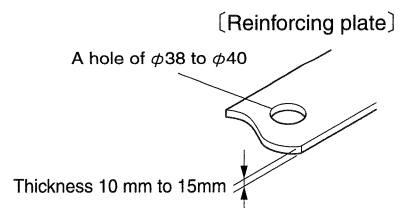


Attention

- After drilling a hole, remove burrs and edges on the surface with a file.
- After finishing the drilling work, remove wood chips to make the surface clean.

In case of a stainless steel counter top without any reinforcing plate
(Or even if a reinforcing plate is affixed, the total thickness of counter top and reinforcing plate is 5mm or less)

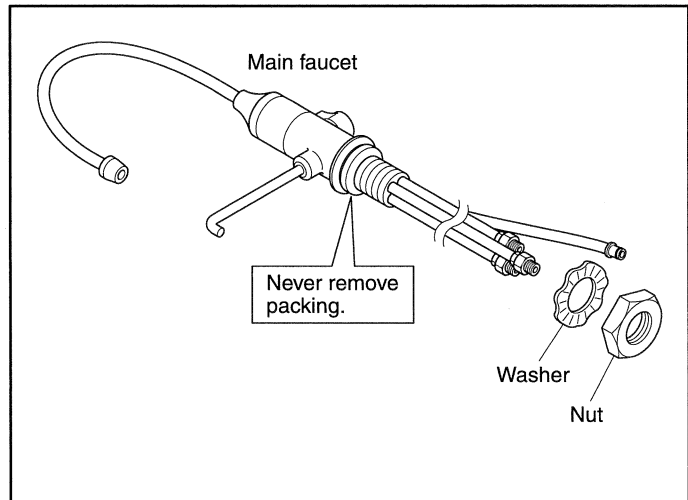
Drill a hole of $\phi 38$ to $\phi 40$ on a reinforcing plate of 10mm to 15mm thick, affix a both-side adhesive tape inside the counter top to reinforce. (See Optional list on page 8.)



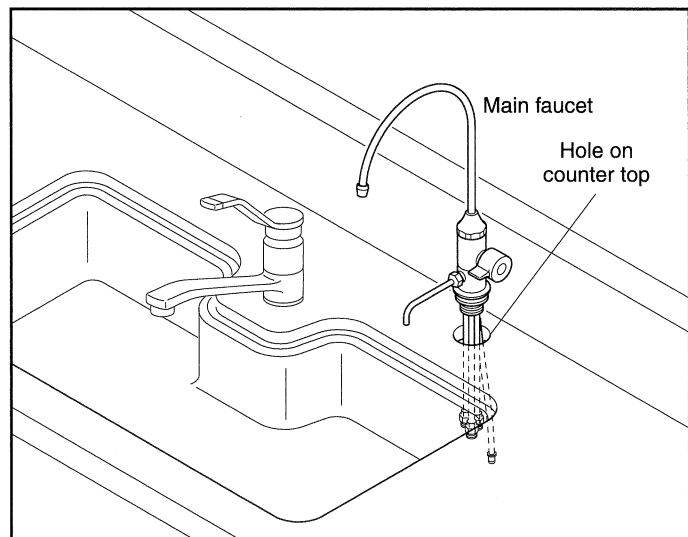
4. Mounting the Main faucet

■ Before mounting the Main faucet, remove dust and stain around the hole to make it clean.

1. Remove washer and nut from the Main faucet.

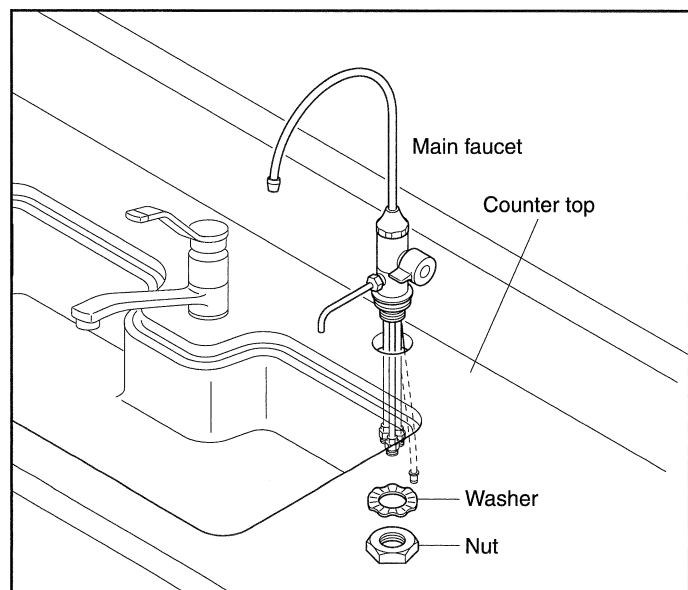


2. Insert the Main faucet into the hole drilled on the counter top and determine the direction of the faucet.



3. Attach washer, nut which have been removed from the backside of the counter top in the original order and tighten to fix.

- If tightening is not enough, the faucet may rattle or the water leaks into the sink.



Attention

- Do the work carefully so that the faucet won't lift, dislocate or rotate.

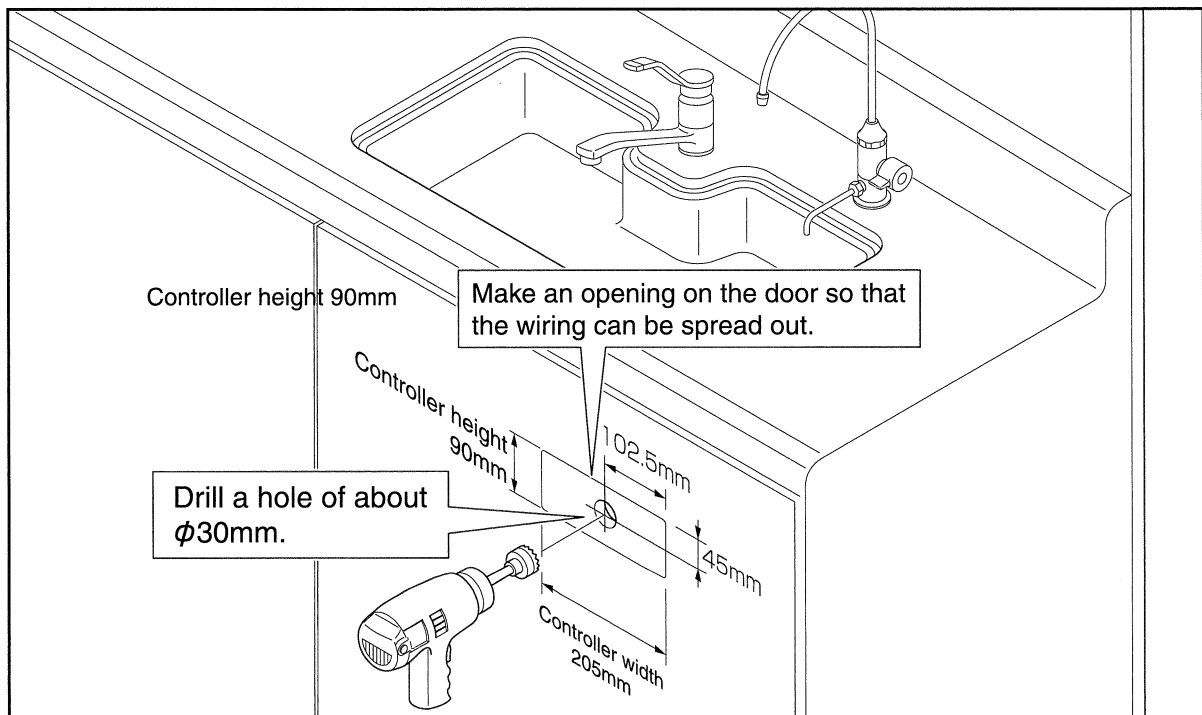
5. Drilling a hole for mounting the controller

- Drill a hole for mounting the controller. (Hole position depends on the condition of mounting area).

⚠ Attention

- For the position of controller mounting, consult with the customer (constructor).
- If the mounting position is a concrete surface having thickness of 50mm or more, do not drill a hole.
(The controller cannot be mounted. If you forcibly drilled a hole, it may develop into the compensation claim by the customer.)
- When drilling a hole onto the mounting position, pay attention so that wood chips won't enter inside the wall.
- In view of the thickness of the mounting position, use a tool that can accommodate 50mm wall thickness.
- Make sure that the back side of the mounting position is hollow.
- Try to use a tool that is suitable to the material quality.
(For a special material, follow the working procedure recommended by the kitchen utensil maker.
Do not forcefully drill a hole, otherwise the mounting position may be broken.)
- Please prepare a powered drill that is suitable for the hole saw to be used.
- Do not use a tool such as impact driver or vibration drill which work to give impact on the surface.
(Mounting area may be deformed or broken.)
- Do not press the tool against the wall while applying an excessive force.
(The material may be deformed or broken.)
- In case of a hard material, prepare one or two spare blade.
(The blade may easily be worn, making the work difficult.)

- Determine the hole position on the door (in case of mounting it on the wall).
 - Drill a hole of $\phi 30$ or so in the center of the controller.

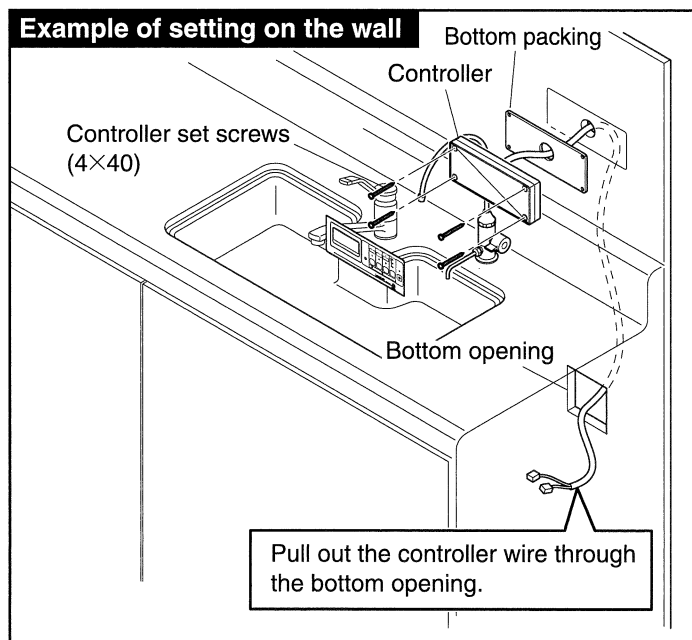
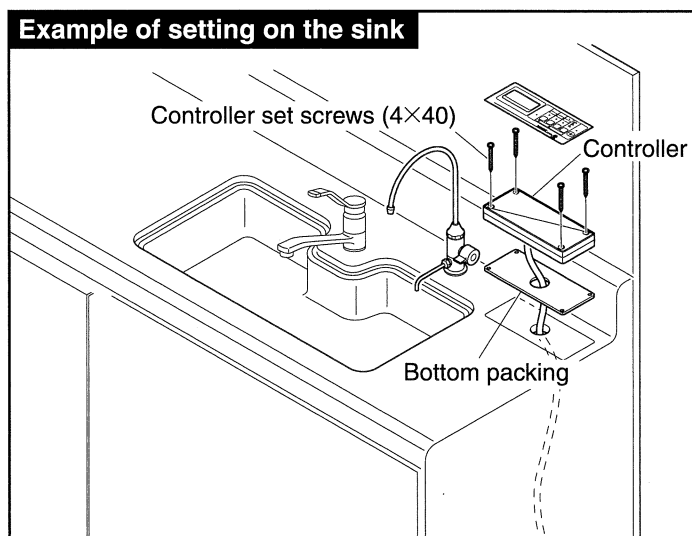
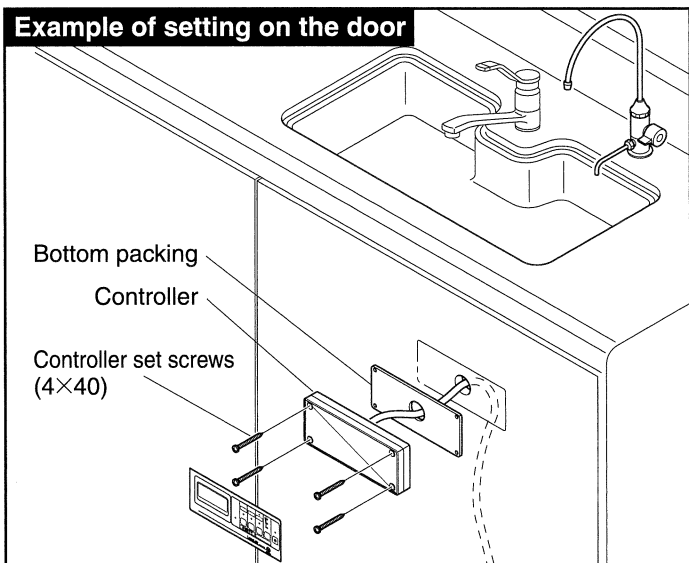


6. Mounting the controller (example)

Insert a bottom packing material under the controller and set the controller by fixing the controller set screws (4×40) tight.

Attention

- Do not forcedly pull the wires.
(The wire may be cut.)

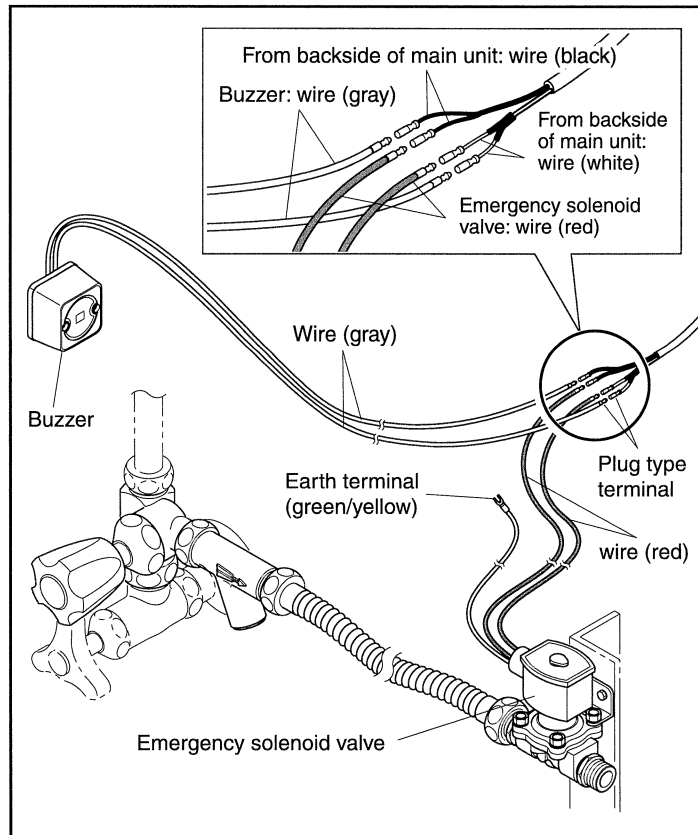


7. Connecting the mounting block and the main unit

1. Insert emergency solenoid valve wire (red) and buzzer (attached) wire (gray) into the plug type terminal on the backside of the main unit. Fix the buzzer on any (easily accessible) position under the sink.

⚠ Attention

- Please pay a special attention to the coloring of wire for setting.
- Insert the terminal sufficiently to the end.
- If wire length is too short, connect any commercially available wire.

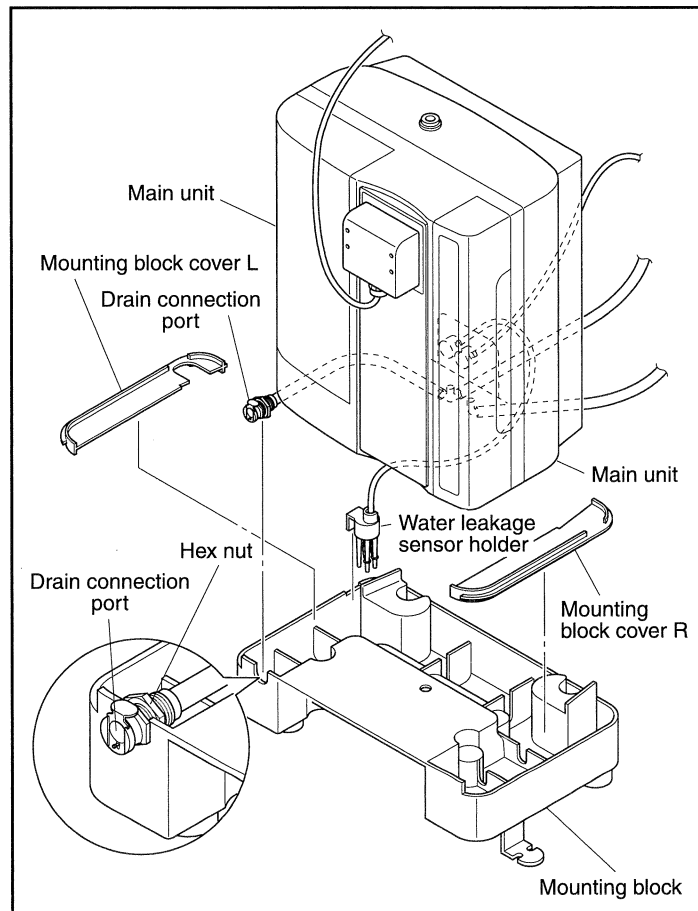


2. Load the main unit on the mounting block.

1. Insert the water leakage sensor holder on the left of the mounting block.
2. Fix a drain connection port at the left side of the mounting block and fix it with hexagonal nut in such a way that the drain connection port faces as shown in the figure.
3. Lay the main unit on the mounting block.
4. Put a mounting block cover L/R.

⚠ Attention

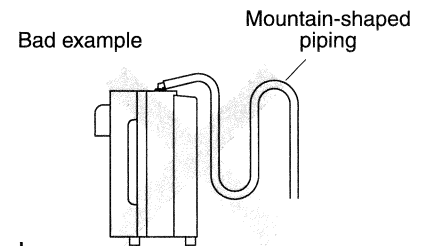
- Do the work carefully so that any part is set steady.
- Pay attention so the power supply cord, wires or hoses are not pinched.



8. Connection of pipes

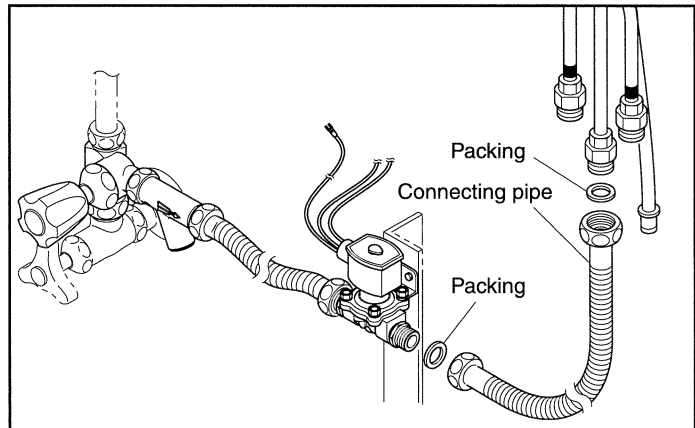
⚠ Attention

- Pay attention so that each pipe won't be bent.
(If bent, water leakage may occur or adequate pH value may not be maintained in the water that comes out through such bent pipe.)
- When cutting a pipe, leave enough length so that it won't be a "mountain-shaped" piping.
(Otherwise, no adequate pH value is assured.)
- Insert a pipe to the end and mount a hose band adequately.
- Connect the pipes paying attention not to pinch the packing.

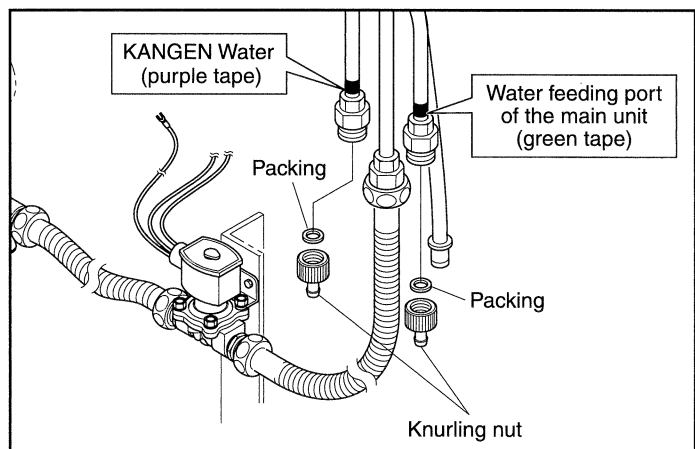


1. Connect faucet suction port of the KANGEN Water faucet and the connecting pipe. Connect the opposite side of the connecting pipe and emergency solenoid valve.

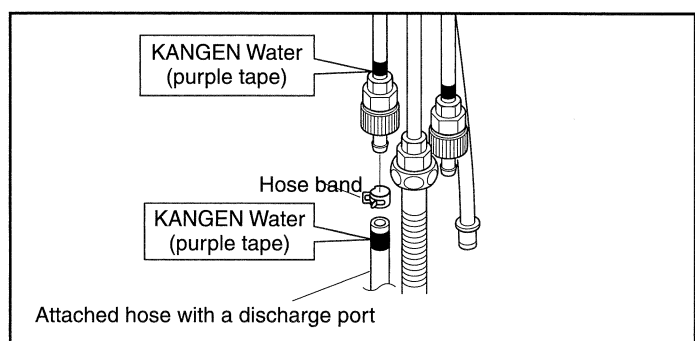
- Use a packing attached to the connecting pipe.



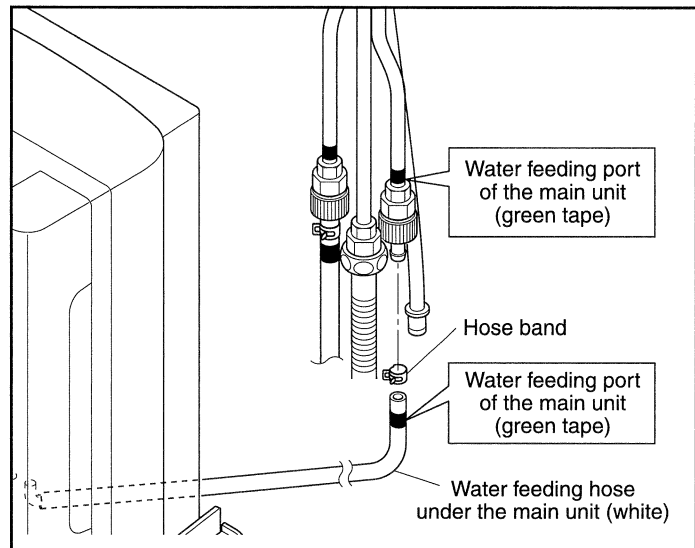
2. Mount a knurling nut with a packing to two copper tubes (green tape, purple tape) of the KANGEN Water faucet.



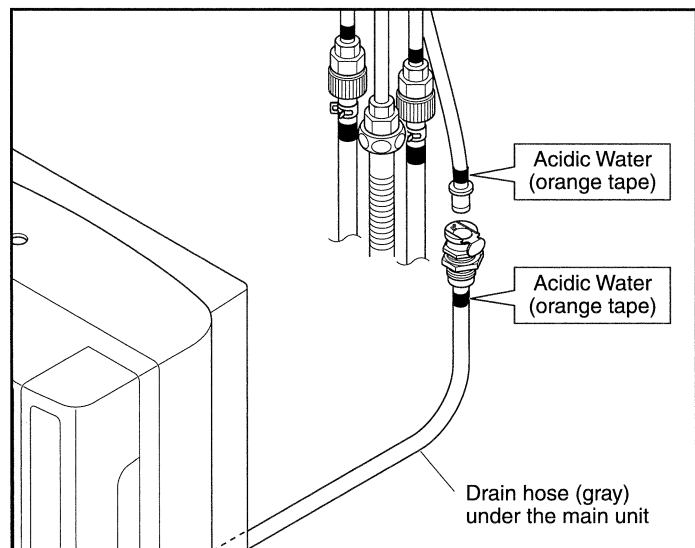
3. Insert an attached hose with a discharge port (purple tape) into the knurling nut (purple tape) and fix them with a hose band.



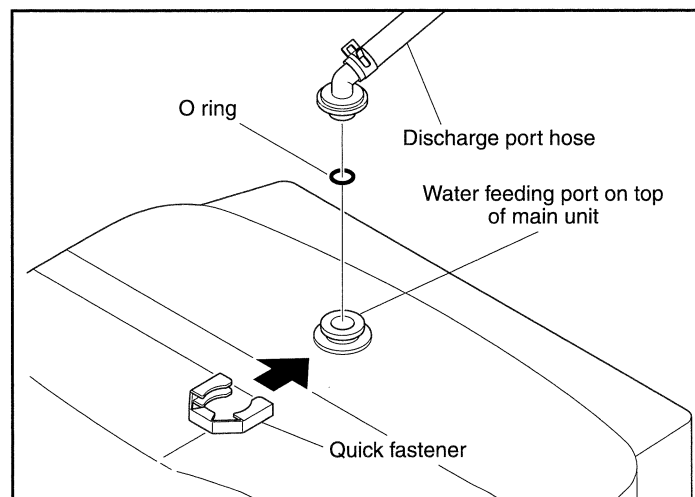
- Put a hose band on the feed water hose (white) (green tape) and insert it into the knurling nut (green tape) that was fixed as per procedure 2 and fix with a hose band.



- Insert a drain hose (gray) (orange tape) under the main unit into the gray hose (orange tape) for the KANGEN Water faucet sufficiently until a “click” sound is heard.



- Fix an O-ring onto the discharge port hose and connect it to the water feeding port on top of the main unit using a quick fastener.

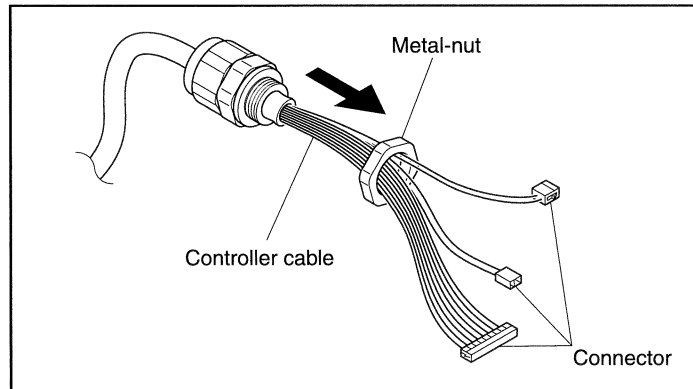


⚠ Attention

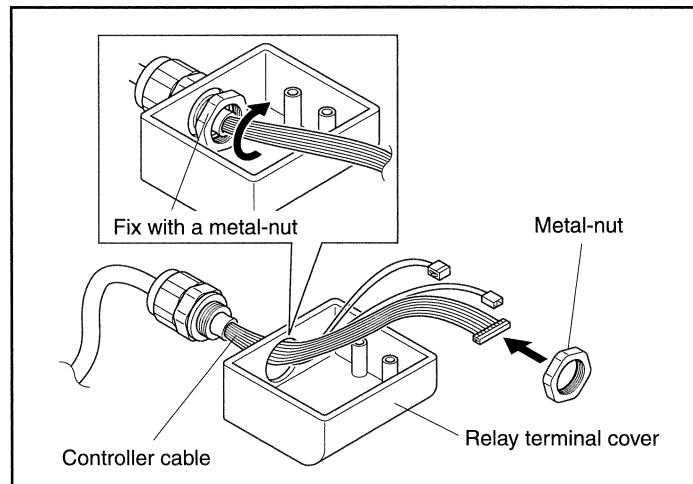
- Before connecting, check if an O-ring is set.
- Make sure that the quick fastener is set properly.

9. Connection of controller

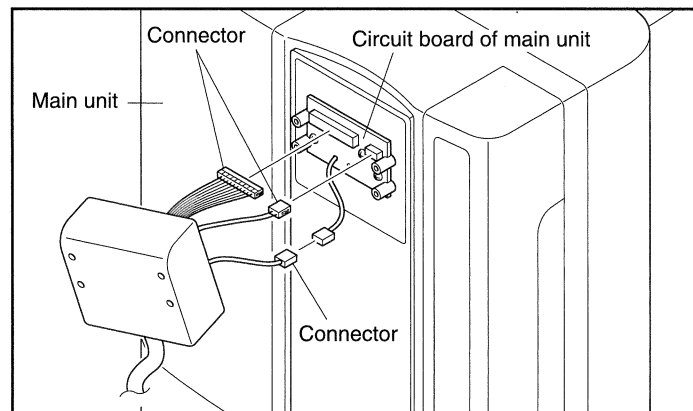
1. Remove the metal-nut attached on the connector side of the controller cable.



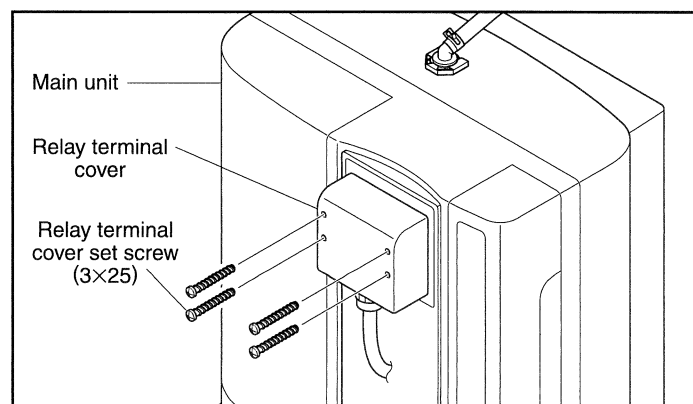
2. Pass the controller cable through a relay terminal cover (attached) and fix the cable with a metal-nut.



3. Connect 3 position of the connector of the controller cable to the circuit board of the main unit.



4. Mount a relay terminal cover on the front side of the main unit.
 - Use the relay terminal cover set screws (3×25).

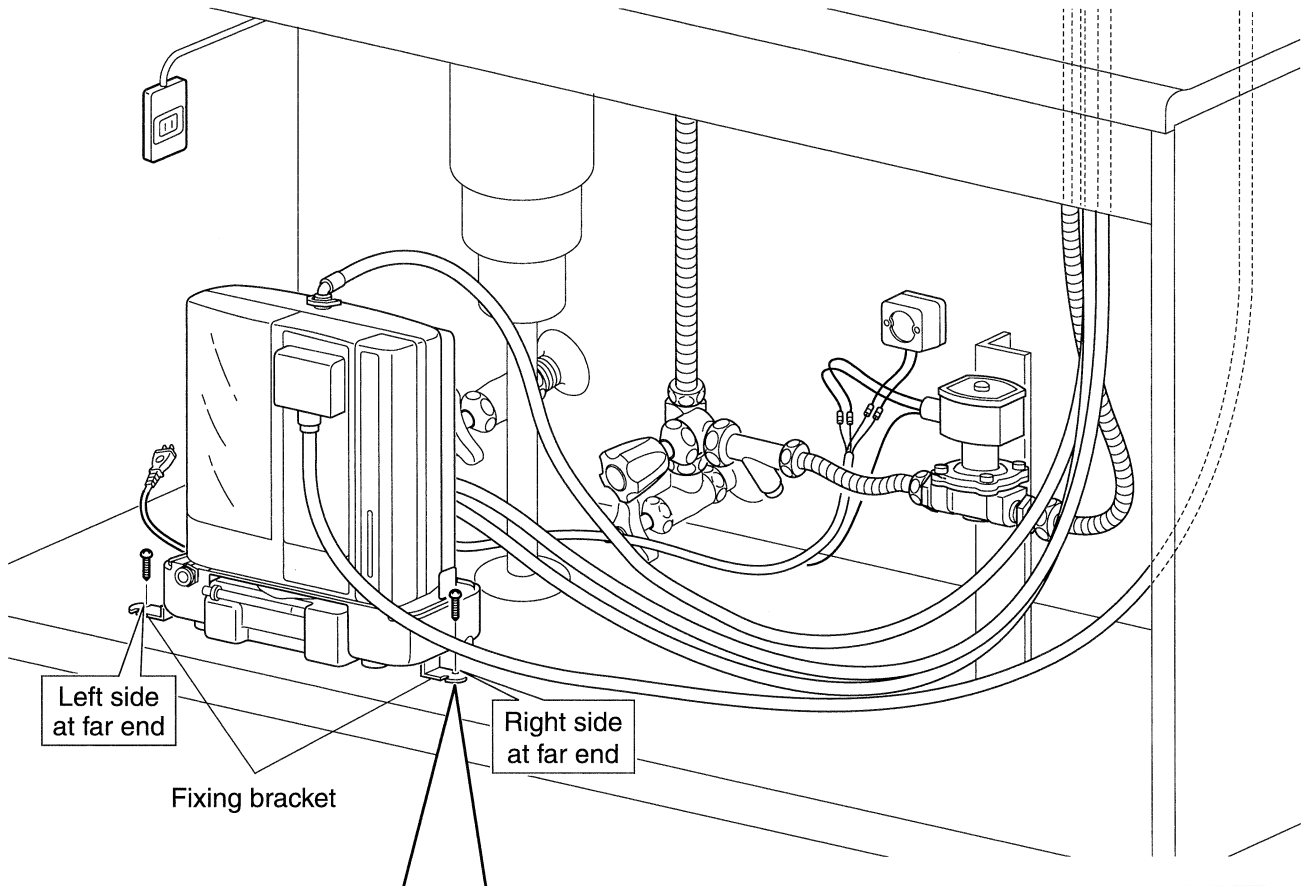


⚠ Attention

- When mounting, be careful not to pinch the controller cable.

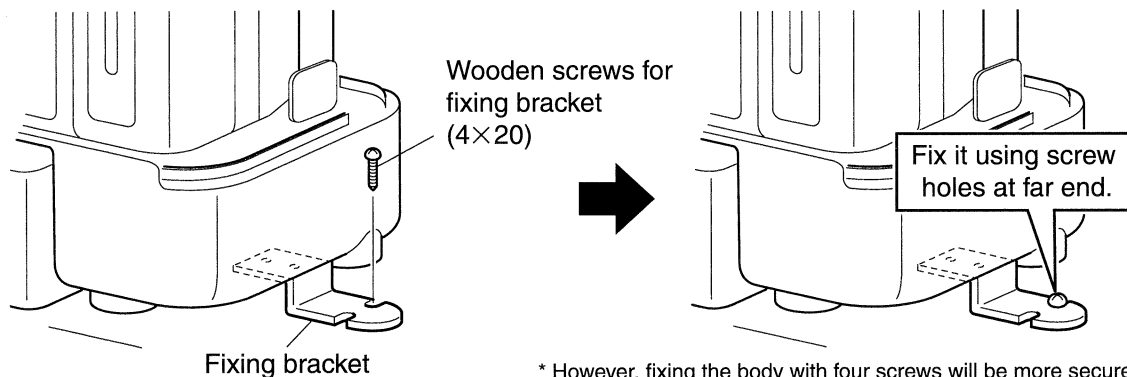
Fixing the main unit

■ After finishing each wiring and piping works, fix both sides of the main unit with the attached wood screws for fixing bracket.

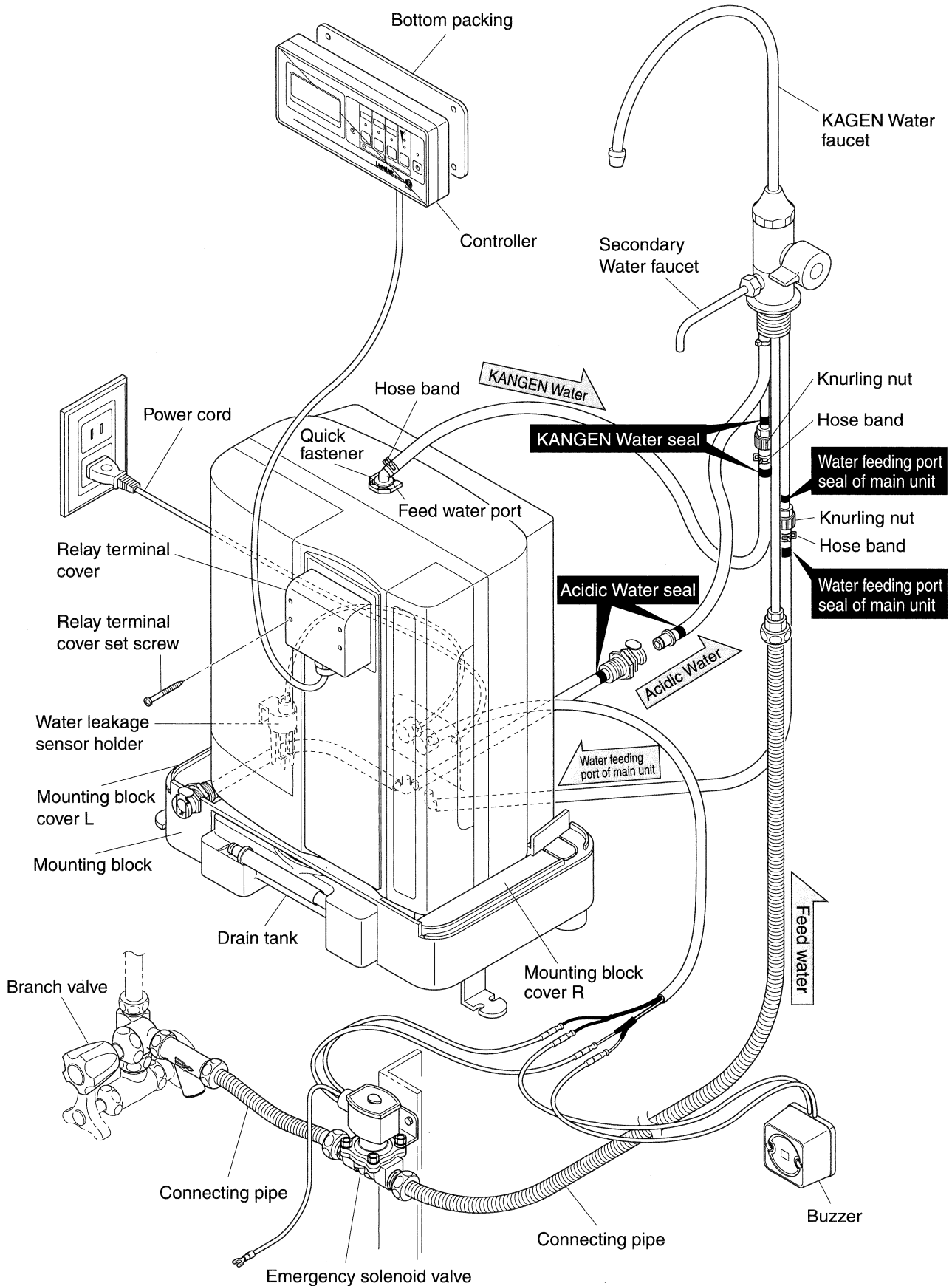


Fixing the main unit

Four (4) wooden screws (4×20) for fixing bracket are contained in the package. In case of fixing on the fixing bracket, use only **two (left and right screws at far end)**.



Installing the main unit and confirmation of connection



Final inspection (water leakage, action)

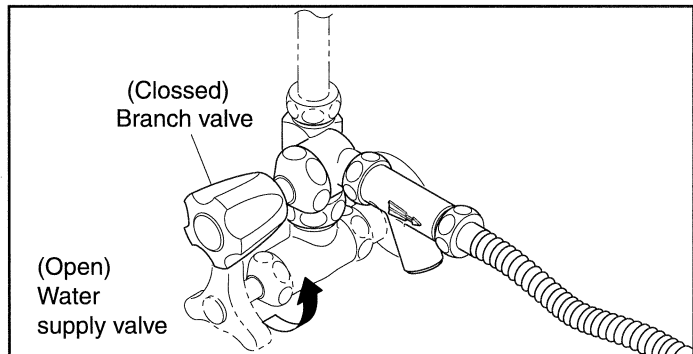
⚠ Attention

- For the final inspection, thoroughly inspect for water leakage from all the pipe joints including the KANGEN Water faucet.
Any water leakage can develop into a serious compensation claim by the customer.
- Before passing the water to the main unit, be sure to open the water supply valve and open the water plug to feed water in order to purge out any dust contained inside (accumulated dust may close the strainer or solenoid valve to cause malfunction.)
- Check for water leakage at the pipe joint, by pressing each mode selection button.

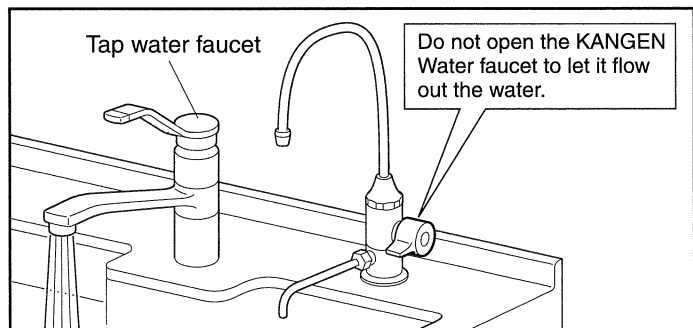
1. Open the tap water main valve and then open the water supply valve.

⚠ Attention

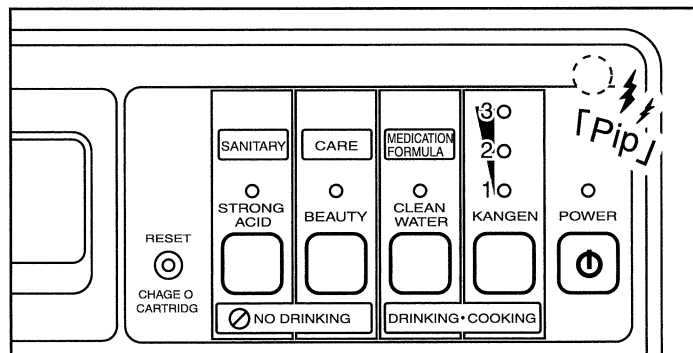
- Check and make sure that the branch valve is closed.



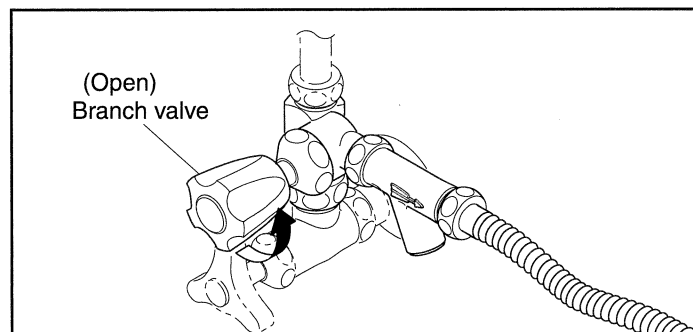
2. Open the tap water faucet.
(To purge out the dust in the pipe)



3. Insert the power supply plug of the main unit into the receptacle.
(A "Pip" sound coming from the controller is heard.)



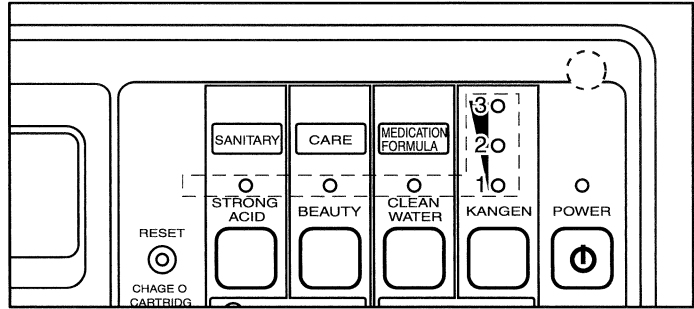
4. Open the branch valve.



Final inspection (water leakage, action)

5. Press the mode selector button and confirm action of the operation panel.

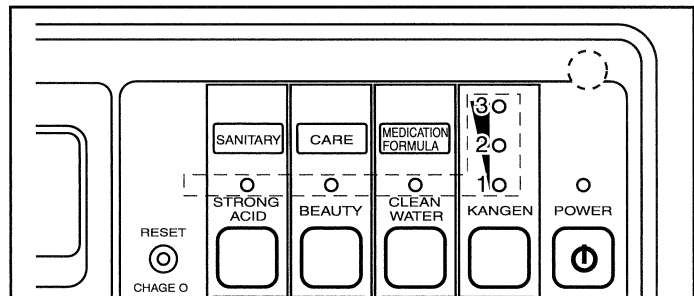
- Check if “Beep” sound is heard when the mode selector button is pressed.



- Press the mode selector button in the following order and confirm if the indicator lamp of the selected mode lights up.

- | | |
|---|--|
| <input type="checkbox"/> (KANGEN Water [1] lights)⇒ | <input type="checkbox"/> (KANGEN Water [2] lights)⇒ |
| <input type="checkbox"/> (KANGEN Water [3] lights)⇒ | <input type="checkbox"/> (Clean Water lights)⇒ |
| <input type="checkbox"/> (BEAUTY Water lights)⇒ | <input type="checkbox"/> (Strong Acid Water lights)⇒ |

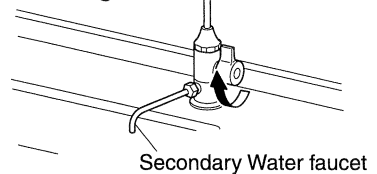
6. Press the KANGEN Water button, open the KANGEN Water faucet and let the KANGEN Water of about 1.5 liter flow out (for about 3 minutes).
(To vent the air in the water filter)



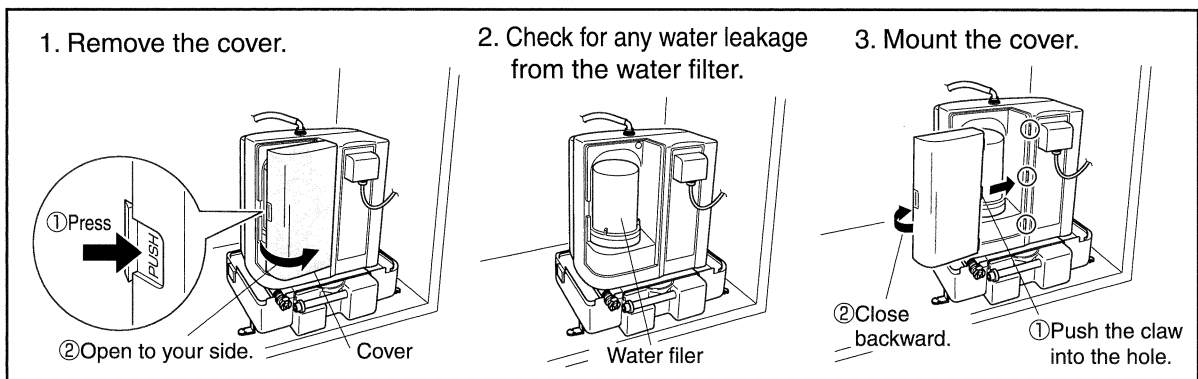
- Confirm that the water is coming out from the bottom discharge port.

KANGEN Water faucet

* If no water comes out, check to see if the gray colored hose at the backside of the main unit is bent.



7. Check to see if there is a water leakage from the pipe joint and the water filter.
(Open the KANGEN Water generator cover to check for water leakage from the water filter.)



If the unit doesn't work properly

Troubleshooting table on the final inspection

Trouble	Action (checking item)	Page reference
The power plug is inserted into the receptacle but the controller lamp doesn't come on.	Is the controller connector connected precisely?	P.25
The controller button is not operable or there is an unusual action.		
No water comes out from the KANGEN Water faucet.	Is a strainer mounted on the curb stop? * The water cannot be stopped if any dust remains in the solenoid valve.	P.15
Water is leaking.	Isn't each hose bent? Is the tap water main plug, branch valve or feed water valve open?	P.22 to P.24
	Is each joint of pipe closed tightly with a hose band, quick fastener or INSULOCK? Isn't an O-ring or packing missing or broken?	
Hot water comes out	Aren't you taking feed water branch from the hot water supply side?	P.15

Final inspection check list

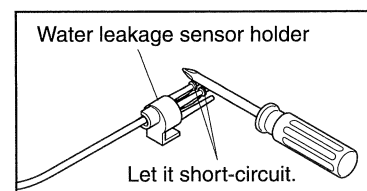
Check item	Contents of check	Check
Water leakage (max. water pressure) (About 5 min. with the water filter cover and tank cover dismounted)	Is the water leaking from the pipe joint?	Not yet / Finished
	Is the water leaking from the water filter?	Not yet / Finished
	Is the water leaking from the KANGEN Water faucet?	Not yet / Finished
	Is the water leaking from the main unit?	Not yet / Finished
Action	After checking the water passing volume, have you set up the system to normal mode?	Not yet / Finished
	Does each button work normally?	Not yet / Finished
	Does each lamp light correctly?	Not yet / Finished
	Is the voice heard correctly?	Not yet / Finished
Information to the customer		
Checking date	Company who installed	TEL: Person in charge

- After finishing the work, fill up the final inspection check list and return this "Installation manual" to the customer (constructor) along with the Operation Manual and Warranty.
- If water leakage check is not completed at the time of installing the main unit, be sure to finish inspection before delivery of the machine to the customer.

How to check water leakage sensor

- Check by letting the space between electrodes of the water leakage sensor short-circuit, with a screwdriver or the like, to see if the buzzer sounds, the solenoid valve acts and the water supply is stopped.

* If no buzzer sounds, check to see if the wires are correctly connected.



Standard specifications

Item name	LeveLuck SD 501U (Under sink type)			
Feed water specs and connection	Water supply valve closed type			
Power supply	AC120V 60Hz			
Rated current	3.2A			
Power consumption	Max. approx. 230W(If production is done at a high KANGEN pH level)			
Main unit	dimensions	13.3(H) x 10.4(W) x 6.7(D)inch / 338(H) x 264(W) x 171(D)mm		
	weight	13.9 lbs / 6.3kg		
Ionizing system	Continuous ionizing system (Built-in flow rate sensor)			
Electrolysis	KANGEN Water	1.2 ~ 2.0gal. / min. 4.5 ~ 7.5L / min.		
	Feed water pressure Approx.	29psi / 200kPa		
	Strong Acidic Water	0.2 ~ 0.3gal. / min. 0.6 ~ 1.2L / min.		
	Feed water pressure Approx.	15psi / 100kPa		
	Electrolysis capacity settings	7 levels	KANGEN Water at 3 levels Clean Water Beauty Water Strong Acidic Water Strong KANGEN Water	(Approx. pH8.5 / pH9.0 / pH9.5) (Approx. pH7.0) (Approx. pH6.0) (Approx. pH2.5) (Approx. pH11.0)
	Cleaning system of ionizing cell	Automatic cleaning system		
	Materials of electrode and ionizing cell	Platinum-plated titanium		
	Filter material	Granulated antibacterial activated charcoal, calcium sulfite		
Water filter	Removable substance	Residual chlorine (Sterilizer), Odor, and Red rust		
	Un-removable substance	Metal ions/salt dissolved in original tap water		
	Replacement interval	Varies according to region and water quality		
Applicable water pressure	7psi ~ 65psi / 50kPa ~ 450kPa (Approx. 0.5kgf/cm ² ~ 4.5kgf/cm ²)			
Available water temperature	41~95°F / 5~35°C			
Electrolysis enhancer (for Strong Acidic Water production)	Forced dissolving adding type			
Electrolysis enhancer (sodium chloride) re-fill need indication	Voice guidance, Alarm sound, LCD message			
Protective device	AC120V 60Hz	Current fuse 6A		
Detective device	Detection of temperature rise and hot water			
Length of power cord	Approx. 1.8 m			

- Specifications and design subject to change for product improvements without notice.
- The electrolytic processing capacity and the filter service life largely depend on the water quality or how the machine was used.

MEMO

A series of horizontal dashed lines for writing.

MEMO

A series of horizontal dashed lines for writing.

* For questions and information, please contact your local dealer.

Los Angeles :

TEL. +1-310-542-7700 FAX. +1-310-542-1700

New York :

TEL. +1-718-784-2110 FAX. +1-718-784-2103

Chicago :

TEL. +1-847-437-8200 FAX. +1-847-437-8201

Honolulu :

TEL. +1-808-949-5300 FAX. +1-808-949-5336

Texas :

TEL. +1-972-240-3252 FAX. +1-972-722-7402

Seattle :

TEL. +1-425-640-2222 FAX. +1-425-672-8946

Orlando :

TEL. +1-407-601-5963 FAX. +1-407-730-3335

Burnaby :

TEL. +1-604-214-0065 FAX. +1-604-214-0067

Toronto :

TEL. +1-905-507-1200 FAX. +1-905-507-1233

Mexico :

TEL. +52-81-8242-5500 FAX. +52-81-8242-5549

Brazil :

TEL. +55-15-3033-4132 FAX. +55-15-3034-4100

Germany :

TEL. +49-211-936570-00 FAX. +49-211-936570-27

France :

TEL. +33 (0) 1 47 07 55 65 FAX. +33 (0) 1 83 71 17 06

Italy :

TEL. +39-6-3330-670 FAX. +39-6-3321-9505

Australia :

TEL. +61-2-9878-1100 FAX. +61-2-9878-1200

Russia :

TEL. +7-495-988-02-05 FAX. +7-495-988-02-06

Rumania :

TEL. +40-374028779

Portugal :

TEL. +351-22-8305464

Hong Kong :

TEL. +852-2154-0077 FAX. +852-2154-0027

Taiwan :

TEL. +886-2-2713-2936 FAX. +886-2-2713-2938

Philippines :

TEL. +63-2-519-5508 FAX. +63-2-519-1923

Korea :

TEL. +82-2-546-8120 FAX. +82-2-546-8127

Singapore :

TEL. +65-6720-7501 FAX. +65-6720-7505

Malaysia :

TEL. +60-3-2282-2332 FAX. +60-3-2282-2335

Indonesia :

TEL. +62-21-2992-3111 FAX. +62-21-2992-8111

Thailand :

TEL. +662-116-3050 FAX. +662-116-3044

India :

TEL. +91-80-4650-9900 FAX. +91-80-4650-9908

Mongolia :

TEL. +976-7012-7778 FAX. +976-7012-7708

Okinawa :

TEL. +81-98-878-4132 FAX. +81-98-878-4141

Tokyo :

TEL. +81-3-5205-6030 FAX. +81-3-5205-6035

Sapporo :

TEL. +81-11-223-5678 FAX. +81-11-223-5680

Nago :

TEL. +81-980-51-0616 FAX. +81-980-51-0628

Naha :

TEL. +81-98-917-1309 FAX. +81-98-917-1164

Osaka Factory :

TEL. +81-72-893-2290 FAX. +81-72-893-8007