

Keep safe

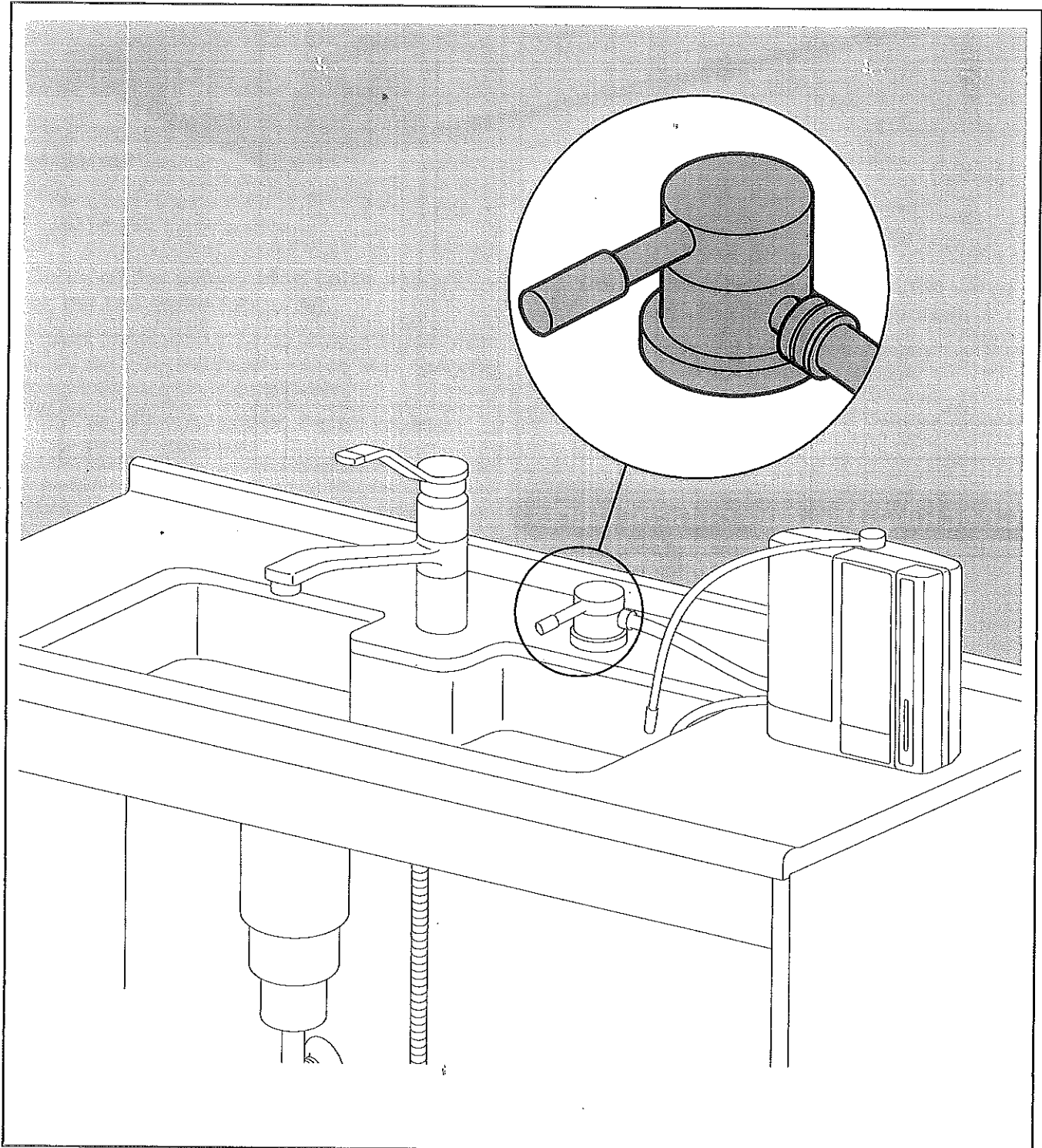


Set up the branch supply stop valve correctly to keep the system at full capacity. Once in place, explain fully how to use the product to your customer.

The user is also supposed to carefully read this booklet and keep it in a safe place.

Branch Supply Stop Valve

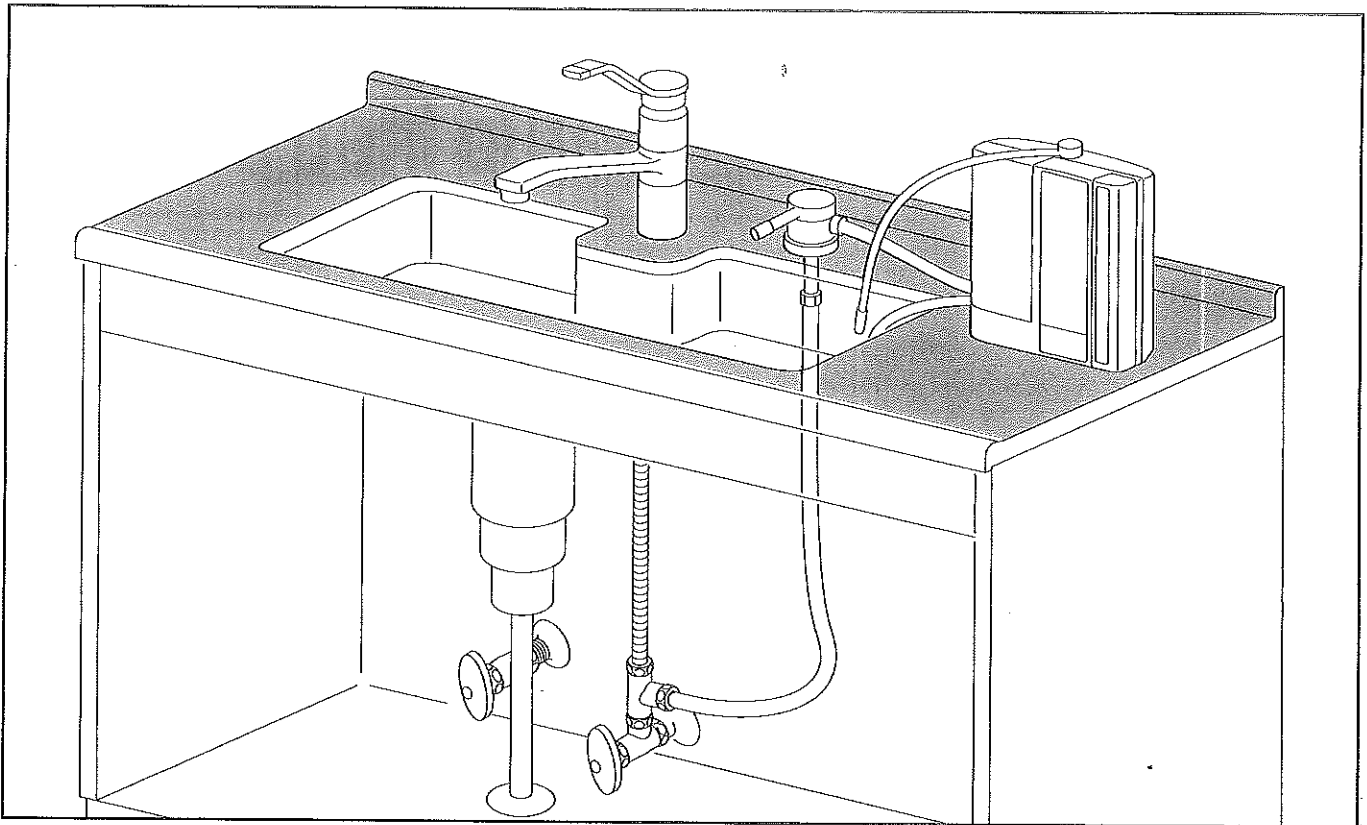
Setup Instructions



Request to the installer

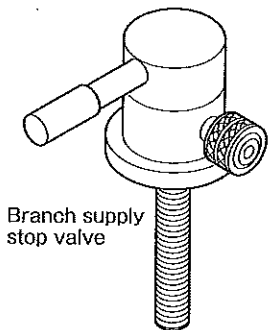
Be sure to hand over this manual to the user.

Final Setup View

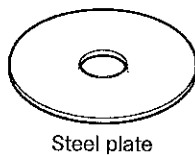


Checking the component parts

Make sure the following parts are all included.



Branch supply stop valve



Steel plate



Anti-slip
Steel washer



Nut

Included but not employed



T rivet
(1/4")



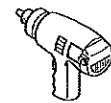
Plastic ferrule
(1/4")



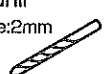
Cap nut
(1/4")

Tools required for the setup job

Powered drill



drill
Size: 2mm



Hole saw
Size: ϕ 13mm



(if a controller is to be installed on the wall.)

Use the drill for drilling a hole in the work top, or hole for passing pipes and cords.

Pipe wrench or monkey wrench

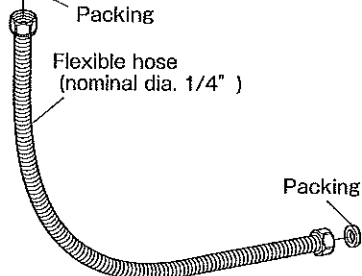


Basin wrench

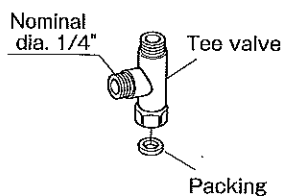


Optional parts

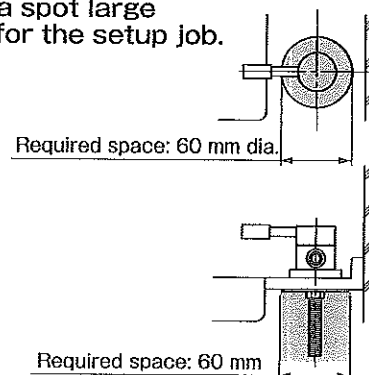
Flexible hose



Tee valve



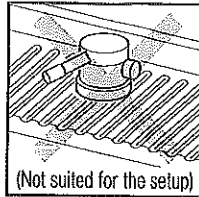
Choose a spot large enough for the setup job.



Before starting the setup job

Before making a hole, make sure the mounting surface is flat.

The hole in the countertop should be 13 mm in diameter. If no opening is already in the countertop, make a hole with the specific tools.



* Some countertops, made of cultured marble or natural stone, or enamel-coated, may fail to make a hole. (Ask a specialized service.)

Setup Procedure

1. First, close the supply stop valve of the water meter.



Make sure no water flows out of the water faucet, and take the following steps.

2. Connect the supply stop valve as well as the tee valve (optional).

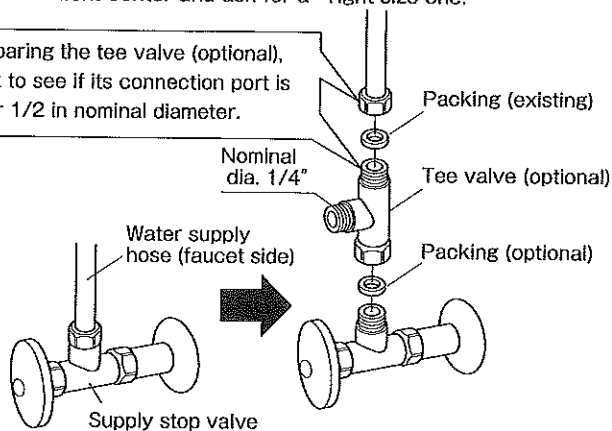
Connect the tee valve (optional) between the feed-water supply stop valve and the water supply hose. (Remember to apply the packings to the tee valve.)

* The tee valve is not included. Prepare a suitable one for your application.

Note Some water flows out of the water supply hose (faucet side). Keep it in mind that your clothes and/or the user's household goods may get wet with such water.

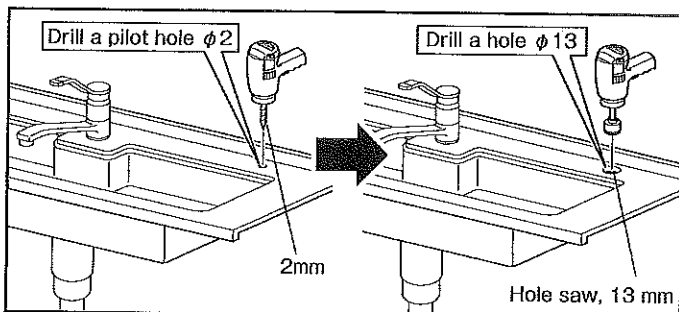
Checking Reuse the existing packing for the tee valve (optional) and the water supply hose (faucet side). If the packing is leaky, visit a nearby home improvement center and ask for a right-size one.

* In preparing the tee valve (optional), check to see if its connection port is 3/8 or 1/2 in nominal diameter.



3. Using a drill and a hole saw, make the hole through the countertop.

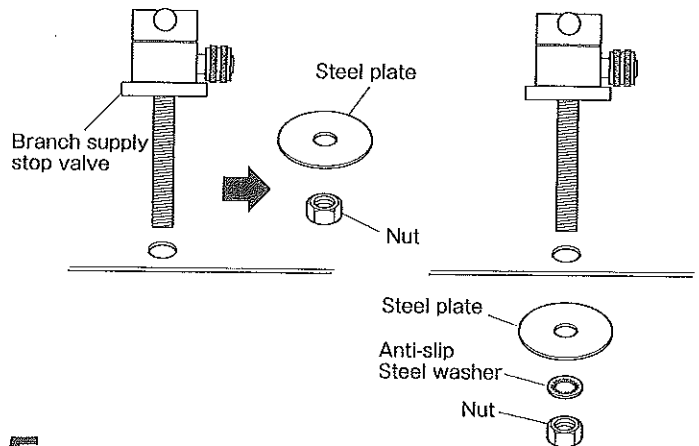
Make a 2-mm pilot hole first with the drill. Then make a 13-mm hole with the hole saw.



4. Install the branch supply stop valve in the countertop.

Remove the nut and steel plate from the branch supply stop valve. Determine the branch port direction. Insert the valve through the hole.

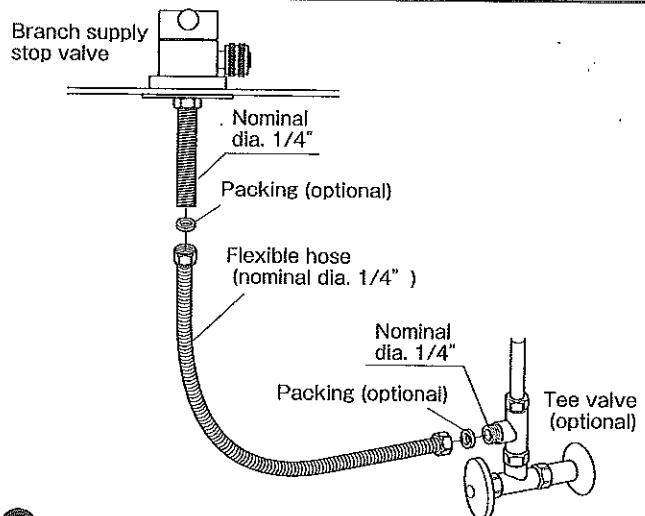
Apply the steel plate, anti-slip steel washer and nut in this order.



5. Connect the branch supply stop valve as well as the tee valve (optional).

Connect the flexible hose (optional) between the branch supply stop valve and tee valve (optional).

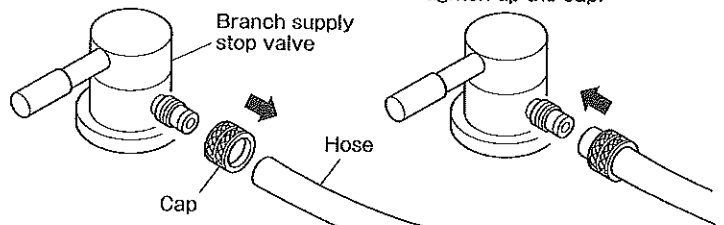
* The flexible hose is not included. Prepare a commercially available flexible hose (with nominal diameter of 1/4 inch).



6. Interconnect the branch supply stop valve and the hose.

Remove the cap from the branch supply stop valve and install the cap onto the hose.

Connect the hose to the branch supply stop valve and tighten up the cap.



Move the lever to the Open and Close positions to make sure the branch supply stop valve is tight in position.



With the branch supply stop valve in place, double-check to see if there is no water leak at the valve and its connections.

Safety Precautions on Setup Job

- Before the setup job, carefully read the "Safety Precautions on Setup Job" to install the branch supply stop valve correctly.
- The [! CAUTION] in this manual indicates potentially serious hazards (injuries and property damages) depending on situations. Every instruction covers important contents on safety. Be sure to observe all the instructions.
- With the unit in place, make sure the system functions well. Then explain to the user how to use the unit.
- Request the user to keep the setup and operating manuals in an accessible spot.
- The pictograms are classified as follows to indicate what to keep in mind.

	Used to indicate what to prohibit.
	Used to indicate what to enforce.
	Used to indicate what not to disassemble.

CAUTION	
	● Avoid a freezing spot to set up the product. * Water leak may happen.
	● With the unit in place, make sure there is no water leak at the tee valve, flexible hose and supply stop valve. * Household goods or other properties may get damaged.
	● Never tamper with nor disassemble this product. * A trouble, damage or water leak may happen.
	● Do not open the supply stop valve until the hoses get connected to the unit.
	● Be sure to use the specific tools for making the hole. * If the specific tools are not used or if a hole cannot be made in the countertop, the countertop may get damaged. Be sure to contact the kitchen systems manufacturer before starting this job.
	● If a water purifier or the like is used, be sure to connect the branch supply stop valve to the water supply system. * Otherwise the unit may get in trouble.
	● You may get your hand injured. Be very careful in setting up this unit.

	● Check the connections and piping (hose connections) at regular intervals to check for water leak. * Even if a connection gets loose or a part gets degraded, a water leak may be left undiscovered. In such cases, household goods or other properties may get damaged.
--	---

* For questions and information, please contact your local dealer.

<p>Los Angeles : TEL. +1-310-542-7700 FAX. +1-310-542-1700</p> <p>New York : TEL. +1-718-784-2110 FAX. +1-718-784-2103</p> <p>Chicago : TEL. +1-847-437-8200 FAX. +1-847-437-8201</p> <p>Honolulu : TEL. +1-808-949-5300 FAX. +1-808-949-5336</p> <p>Texas : TEL. +1-972-240-3252 FAX. +1-972-722-7402</p> <p>Seattle : TEL. +1-425-640-2222 FAX. +1-425-672-8946</p> <p>Orlando : TEL. +1-407-601-5963 FAX. +1-407-730-3335</p> <p>Burnaby : TEL. +1-604-214-0065 FAX. +1-604-214-0067</p> <p>Toronto : TEL. +1-905-507-1200 FAX. +1-905-507-1233</p> <p>Mexico : TEL. +52-81-8242-5500 FAX. +52-81-8242-5549</p>	<p>Brazil : TEL. +55-15-3033-4132 FAX. +55-15-3034-4100</p> <p>Germany : TEL. +49-211-936570-00 FAX. +49-211-936570-27</p> <p>France : TEL. +33 (0) 1 47 07 55 65 FAX. +33 (0) 1 83 71 17 06</p> <p>Italy : TEL. +39-6-3330-670 FAX. +39-6-3321-9505</p> <p>Australia : TEL. +61-2-9878-1100 FAX. +61-2-9878-1200</p> <p>Russia : TEL. +7-495-988-02-05 FAX. +7-495-988-02-06</p> <p>Rumania : TEL. +40-374028779</p> <p>Portugal : TEL. +351-22-8305464</p> <p>Hong Kong : TEL. +852-2154-0677 FAX. +852-2154-0027</p>	<p>Taiwan : TEL. +886-2-2713-2936 FAX. +886-2-2713-2938</p> <p>Philippines : TEL. +63-2-519-5508 FAX. +63-2-519-1923</p> <p>Korea : TEL. +82-2-546-8120 FAX. +82-2-546-8127</p> <p>Singapore : TEL. +65-6720-7501 FAX. +65-6720-7505</p> <p>Malaysia : TEL. +60-3-2282-2332 FAX. +60-3-2282-2335</p> <p>Indonesia : TEL. +62-21-2992-3111 FAX. +62-21-2992-8111</p> <p>Thailand : TEL. +662-116-3050 FAX. +662-116-3044</p> <p>India : TEL. +91-80-4650-9900 FAX. +91-80-4650-9908</p> <p>Mongolia : TEL. +976-7012-7778 FAX. +976-7012-7708</p>	<p>Okinawa : TEL. +81-98-878-4132 FAX. +81-98-878-4141</p> <p>Tokyo : TEL. +81-3-5205-6030 FAX. +81-3-5205-6035</p> <p>Sapporo : TEL. +81-11-223-5678 FAX. +81-11-223-5680</p> <p>Nago : TEL. +81-980-51-0616 FAX. +81-980-51-0628</p> <p>Naha : TEL. +81-98-917-1309 FAX. +81-98-917-1164</p> <p>Osaka Factory : TEL. +81-72-893-2290 FAX. +81-72-893-8007</p>
--	--	---	---